



TechData

PRODUCT SPECIFICATION SHEET



Venturi Tee

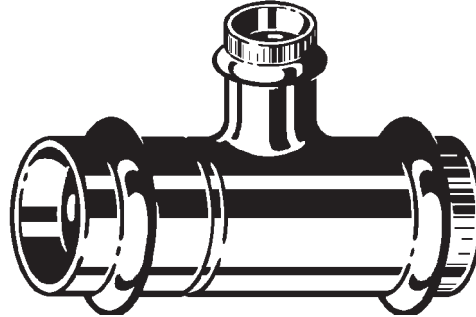
Product

The ProPress® Venturi Tee is available in sizes 3/4", 1", and 1-1/4".

Features

- ProPress press ends
- Low Pressure Loss
- Copper Body
- Brass Venturi insert
- EPDM Sealing Elements

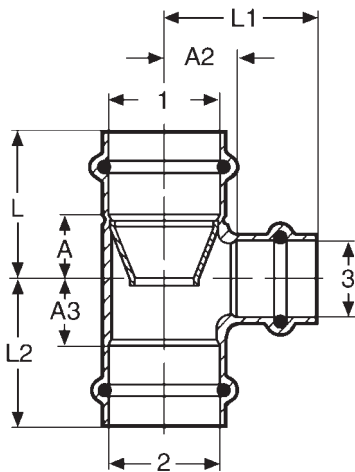
ProPress 1/2" to 2" fittings are equipped with the Smart Connect™ Feature for easy identification of unpressed connections during pressure testing.



Venturi CV			
Size	Downstream Return	Upstream Supply	2 Fittings
3/4"x 1/2"	5.0	4.2	3.3
1"x 1/2"	15.0	13.5	10.1
1"x 3/4"	15.0	13.5	10.1
1-1/4"x 1/2"	23.0	20.7	15.5
1-1/4"x 3/4"	23.0	20.7	15.5

Bypass Press. Loss (PSI)			
Size	Downstream Return	Upstream Supply	2 Fittings
3/4"x 1/2"	1.0	1.2	1.5
1"x 1/2"	1.0	1.1	1.5
1"x 3/4"	1.0	1.1	1.5
1-1/4"x 1/2"	1.0	1.1	1.5
1-1/4"x 3/4"	1.0	1.1	1.5

In-Line Press. Loss (PSI)			
Size	Downstream Return	Upstream Supply	2 Fittings
3/4"x 1/2"	1.0	1.4	2.3
1"x 1/2"	1.0	1.2	2.2
1"x 3/4"	1.0	1.2	2.2
1-1/4"x 1/2"	1.0	1.2	2.2
1-1/4"x 3/4"	1.0	1.2	2.2



Stock Code	Size			A		A2		A3	
	1	2	3	(in)	(mm)	(in)	(mm)	(in)	(mm)
23388	3/4"x3/4"x1/2"			0.689	17.5	0.630	16.0	0.689	17.5
23393	1"x1"x1/2"			0.689	17.5	0.787	20.0	0.689	17.5
23398	1"x1"x3/4"			0.846	21.5	0.748	19.0	0.846	21.5
23403	1 1/4"x1 1/4"x1/2"			0.650	16.5	0.925	23.5	0.650	16.5
23408	1 1/4"x1 1/4"x3/4"			0.768	19.5	0.866	22.0	0.768	19.5

