



Tailpiece C x F Union

Applications

The ProPress Tailpiece is available in sizes, 1/2" x 1", 3/4" x 1", 1" x 1" and 1" x 1-1/4". ProPress 1/2" to 2" fittings are equipped with the Smart Connect feature for easy identification of unpressed connections during pressure testing. ProPress Tailpieces are used to connect piping to water meters, mixing valves, diverter valves and other plumbing and heating devices requiring a Female BSP connection, commonly referred to as "straight threads".

Water Meter Application

The Tailpiece nut on sizes 3/4" x 1" and 1" x 1-1/4" is drilled for a seal wire, allowing for the installation of these sizes on 5/8" /3/4" and 1" water meters. Seal wire size accommodated is AGW 18 or AGW 16.

Mixing Valve, Diverter Valve and Other Plumbing Devices

Tailpiece in sizes 1/2" x 1", 3/4" x 1", 1" x 1" and 1" x 1-1/4" may be used with mixing valves, diverter valves and other plumbing devices, or equipment, in potable water and heating systems requiring a "straight thread" union connection.

Features

- ProPress press end
- EPDM sealing element
- Female BSP Half Union
- Smart Connect feature

Ratings

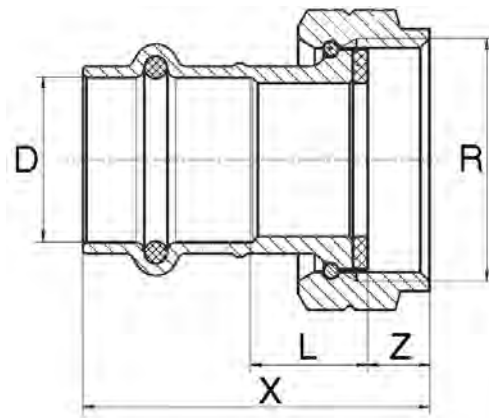
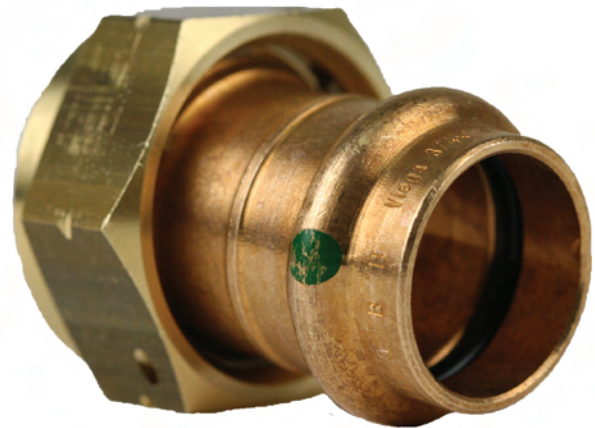
- Temperature Rating: 0°F - 250°F
- Pressure Rating: 200psi

Approvals

- NSF-61
- UPC
- CSA

Material Specification

Body: Bronze
 Press End Seal: EPDM
 Threaded End: Female BSP
 Sealing Element: Peroxydical Cross-linked EPDM



Tailpiece Adapter C x F Union				
Stock Code	Dimensions	L (in)	Z (in)	X (in)
	D R			
77753	1/2" x 1" BSP	0.393	0.354	1.496
77758	3/4" x 1" BSP	0.629	0.334	1.870
77763	1" x 1" BSP	0.807	0.334	2.047
77764	1" x 1-1/4" BSP	0.728	0.413	2.047



VIEGA
 301 N. Main, 9th Floor
 Wichita, KS 67202
 Phone: 1-800-976-9819
 Fax: 800-976-9817

service@viega.com
 www.viega.com