



# TechData

## MATERIAL SPECIFICATION SHEET



### Bronze Check Valve Model 2974

#### Description

- Bronze Body
- ProPress Ends
- Spring Check
- EPDM Seals
- .5 PSI Cracking Pressure

#### Features

- Low Pressure Loss
- Silent Operation
- Stainless Steel Spring
- POM Check

#### Ratings

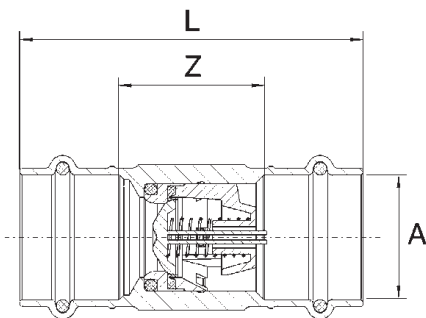
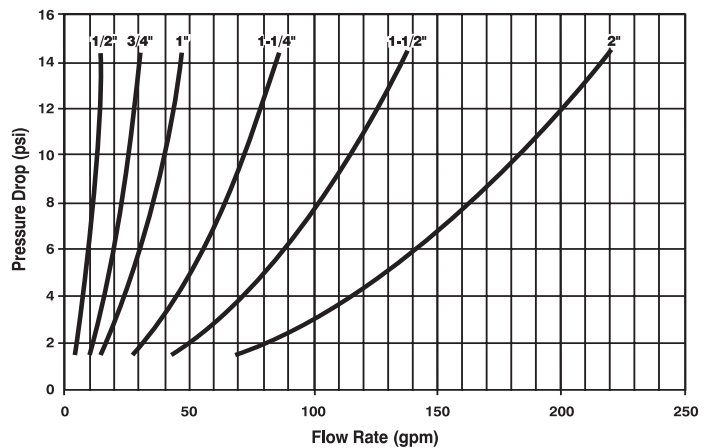
- 400 WOG
- Max. Operating Pressure: 200 PSI
- Temperature Range: 0°F - 200°F

#### Approvals

- Conforms to MSS SP-80
- NSF-61



#### Pressure Drop



Stock Code	A	L (in)	Z (in)
22353	1/2"	2.362	0.866
22358	3/4"	2.953	1.142
22363	1"	3.150	1.339
22368	1-1/4"	3.740	1.693
22373	1-1/2"	4.921	2.087
22378	2"	5.709	2.559

