



## Butterfly Valve

Model 2873.81

### Description

- Spheroidal graphite cast iron body
- Lug body is Polyurethane coated
- Anti-blowout stainless steel shaft
- Downstream dismantling allowed
- EPDM Liner
- Sizes 2-1/2" and 3" - 4 bolt pattern flanges, 4" - 8" bolt pattern flanges

### Features

- Spheroidal graphite cast iron body
- Lug body is Polyurethane coated
- 316 Stainless Steel disc
- Anti-blowout stainless steel shaft
- Downstream dismantling allowed
- Bi-directional, can be mounted in all positions
- ISO 5211 flange type F05 flat head

### Ratings

- Temperature range: 0° – 250°F
- Max. Operating Pressure: 200 PSI

### Standard Variants

- Pneumatic Actuator: Actair / Dynactair
- Electric Actuator: Various Manufacturers
- Limit Switches: Monitor
- Positioner: Siemens

Weight	
Size	lbs.
2-1/2"	5.51
3"	6.83
4"	10.36

\* The indicated weights are those of the unit valve plus handle.



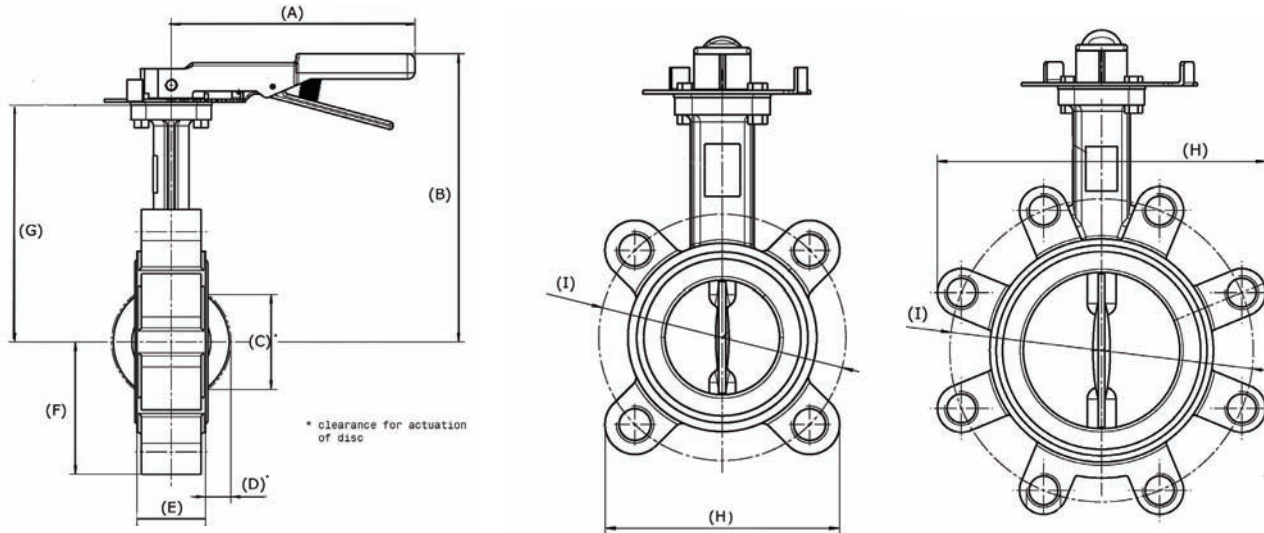
**VIEGA**  
 301 N. Main, Floor 9  
 Wichita, KS 67202  
 Phone: 1-877-843-4262  
 Fax: 1-800-976-9817

service@viega.com  
 www.viega.com



# TechData

## PRODUCT SPECIFICATION SHEET



Butterfly Valve Dimensions										
Stock Code	Size	A (in)	B (in)	C (in)	D (in)	E (in)	F (in)	G (in)	H (in)	I (in)
22074	2-1/2"	6.496	7.401	2.165	0.433	1.811	2.637	5.354	5.196	5.511
22075	3"	6.496	7.637	2.795	0.669	1.811	2.819	5.590	7.007	5.984
22076	4"	9.055	8.464	3.543	0.905	2.047	3.622	6.417	8.267	7.48

Operating Torque Data	
Size	ft./lbs.
2-1/2"	22.12
3"	29.50
4"	44.25

\* Lubricated  
 \*The safety coefficient to define the adapted actuator is included in the torque value.

Bolt and Washer Grade 5 Zinc-Plated Blue Chromated	
Stock Code	Size
19768	5/8" x 1-1/2"
19773	5/8" x 1-5/8"
19778	5/8" x 1-3/4"

\* ASME B18.2.1 -- 1996

Hydraulic Characteristics	
Size	Cvo
2-1/2"	280
3"	475
4"	760

Bolt Tightening	
Stock Code	Recommended Max. Bolt Torque (ft/lbs)
19768	75
19773	
19778	

