



Bronze Ball Valve with Stainless Steel Ball and Stem Model 2970.3

Description

- Two-Piece Body
- Full Port
- EPDM Sealing Element
- Bronze Body
UNS 87700 ASTM B 584
- EPDM Stem Seals
- Lockable Metal Handle
- ProPress Ends

Features

- 316 Stainless Steel Ball
ASTM A276 Type 316
- 316 Stainless Steel Stem
ASTM A276 Type 316
- Blowout-Proof Stem
ASTM A276 Type 316
- Reinforced PTFE Seats
- Smart Connect Feature

Ratings

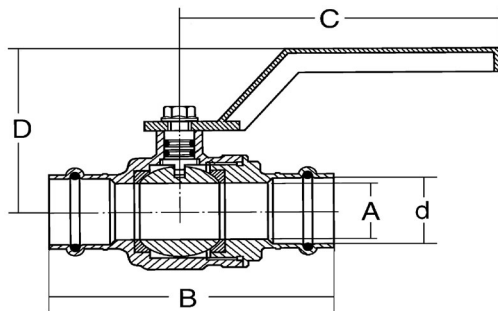
- 600 WOG
- Max. Operating Pressure: 200 psi
- Temperature Range: 0°F - 250°F

Approvals

- Conforms to MSS SP-110
- NSF-61 Annex G
- CSA 1/2" - 1"
- UPC



NOTE: The only visible difference between the Bronze Ball Valve with Stainless steel trim and the Bronze Ball Valve with Chrome ball is the stem.



Stock Code	d	A (in)	B (in)	C (in)	D (in)
22054	1/2"	0.551	3.346	4.331	2.402
22059	3/4"	0.787	3.819	4.331	2.461
22064	1"	0.984	4.291	4.823	2.795
22069	1-1/4"	1.260	4.685	4.823	3.228
22077	1-1/2"	1.575	5.610	5.315	3.661
22080	2"	1.969	6.756	5.315	3.976



VIEGA

301 N. Main, 9th Floor
Wichita, KS 67202
Phone: 1-877-843-4262
Fax: 1-800-976-9817

service@viega.com
www.viega-na.com