



TechData

MATERIAL SPECIFICATION SHEET



Bronze Ball Valve (Plastic POM Handle)

Model 2970

Description

- Two Piece Bronze Body
- Full Port
- EPDM Sealing Elements
- EPDM Stem Seals
- POM Handle
- ProPress Ends

Features

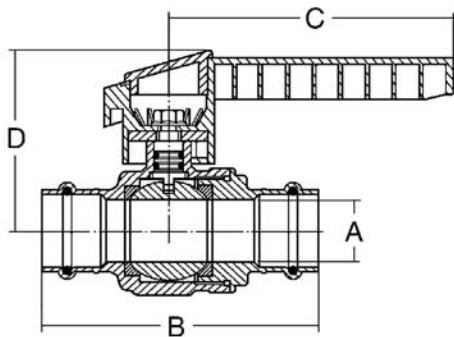
- Chrome Plated Brass Ball
- Blowout-proof Stem
- Reinforced PTFE Seats
- Smart Connect Feature

Ratings

- 600 WOG
- Temperature Range 0°F-250°F
- Max. Operating Pressure: 200 PSI

Approvals

- Conforms to MSS SP-110
- NSF-61
- UPC
- CSA 1/2" - 1"



Stock Code	Size	A (in)	B (in)	C (in)	D (in)
19678	1/2"	0.65	3.39	3.86	2.54
19683	3/4"	0.79	3.82	3.86	2.62
19688	1"	0.98	4.29	4.43	2.80
19393	1-1/4"	1.26	4.69	4.43	3.23
19698	1-1/2"	1.57	5.61	4.69	3.35
19703	2"	1.97	6.76	4.69	3.66



VIEGA
 301 N. Main, 9th Floor
 Wichita, KS 67202
 Phone: 1-877-843-4262
 Fax: 1-800-976-9817

service@viega.com
 www.viega.com