



# TechData

## MATERIAL SPECIFICATION SHEET



### Bronze Ball Valve (Metal Handle)

Model 2970.10

#### Description

- Two Piece Bronze Body
- Full Port
- EPDM Sealing Elements
- EPDM Stem Seals
- Metal Handle
- ProPress Ends

#### Features

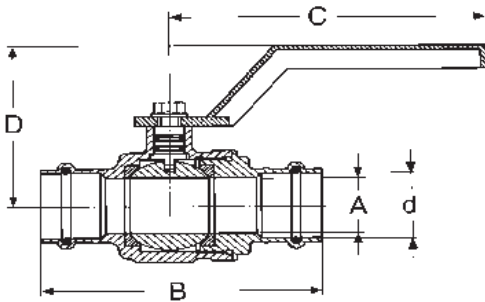
- Chrome Plated Brass Ball
- Blowout-proof Stem
- Reinforced PTFE Seats
- Smart Connect Feature

#### Ratings

- 600 WOG
- Temperature Range 0°F-250°F
- Max. Operating Pressure: 200 PSI

#### Approvals

- CSA 1/2" - 1"
- Conforms to MSS SP-110
- NSF-61
- UPC



Stock Code	d	A (in)	B (in)	C (in)	D (in)
22053	1/2"	0.551	3.346	4.331	2.402
22058	3/4"	0.787	3.819	4.331	2.461
22063	1"	0.984	4.291	4.823	2.795
22068	1-1/4"	1.260	4.685	4.823	3.228
22073	1-1/2"	1.575	5.610	5.315	3.661
22078	2"	1.969	6.756	5.315	3.976



**VIEGA**  
 301 N. Main, 9th Floor  
 Wichita, KS 67202  
 Phone: 1-877-843-4262  
 Fax: 1-800-976-9817

service@viega.com  
 www.viega-na.com