



TechData

PRODUCT SPECIFICATION SHEET



ProRadiant
SYSTEMS

Stainless Manifold Powerhead

Application

The Powerhead 15 061 is a two position actuator for zone control which mounts on the return valve of the Stainless Manifold. A 24 V signal actuates the head to open the valve. The position of the valve is normally closed. The Powerhead may be used on both 1-1/4" Stainless Shut Off/Balancing and Stainless Shut Off/ Balancing/Flow Meter Manifolds. These Powerheads will not fit 1" Brass Manifolds.

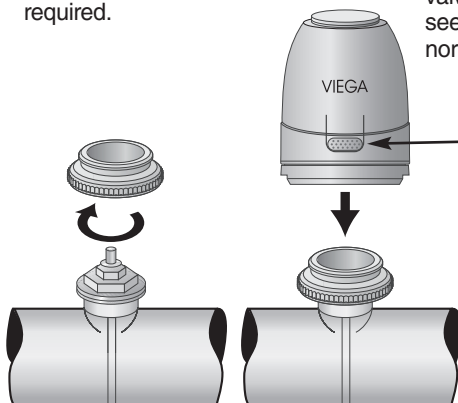
Features

- White in color, Viega logo on front.
- Normally closed
- Water resistant
- All around function indicator
- 360° installation position
- Snap-on installation
- Valve adapter concept
- Initially-Open function
- 3.2 ft. connecting wire

Installation

Remove plastic cap from return valve.

1. Thread on valve adapter hand tight. Do not use wrench or pliers.
2. Once valve adapter is screwed on, simply snap the powerhead on to the valve adapter. No tools required.

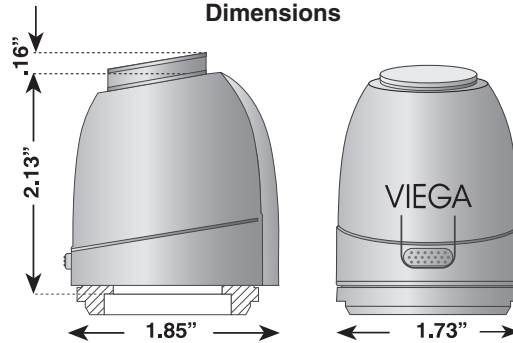


Specifications

- Voltage: 24V
- Max Inrush Current: 250 mA for 2 minutes maximum
- Operating Current: 75 mA
- Closing/Opening Time: Approximately 3 minutes
- Stroke: 4 mm
- Actuating Force: 21lbs.
- Weight: 3.5 oz.
- Fluid Temperature: 32°F - 212°F



Dimensions



ON/OFF Indicator

The Powerhead for the Stainless Manifold has a cylinder on the top that will raise and expose blue when the valve is open. You will be unable to see any blue when the valve is in its normal closed position.

Initially-Open Function

The Powerhead is delivered in the open position. This allows for easier installations and also allows for the installer to pressure and flow test each circuit before connecting the power.

This function is disengaged automatically after the first 6 minutes of powered use.

To remove Powerhead, push tab and lift off of the valve adapter.

