

Product Instructions

Non-Electric Fixed Water Temperature Control



Applications

The Non-Electric Fixed Water Temperature Control provides fixed water temperature control of a diverting or injection valve.

Features

This control is a non-electric modulating valve control. Regardless of boiler or return temperature fluctuations it will automatically maintain a fixed system supply temperature. This supply temperature is manually adjustable at the actuator head.

Specifications

Available temperature ranges:
16 102 (NE 20) 68°F - 122°F
16 115 (NE 30) 86°F - 140°F
16 104 (NE 40) 104°F - 158°F
16 105 (NE 50) 122°F - 176°F

Installation

If present, unscrew the plastic cap from the diverting or injection valve. Thread the Non-Electric Fixed Water Temperature control head onto the valve and hand tighten. Do not use pliers or a wrench. Mount the water temperature sensor in its cradle onto the supply water pipe as shown in illustration on opposite page (or on the supply header for Injection Stations). Heat transfer paste may be used between the sensor, cradle, and header to improve heat transfer and sensor response.

Operation

Adjust the Fixed Water Temperature Control to the lowest position (# 1), then increase setting to match building heat loss. Each incremental change on the control will result in a change in supply water temperature that may be seen on the temperature gauge - note that it takes several minutes for the water temperature to adjust. Adjust temperature high limit during first start up to protect floor from water temperatures above 140°F. Each number on the scale from 1 to 7 represents approximately 9°F change in water temperature. As outdoor temperature gets lower, seasonal adjustments toward the higher end of the temperature range may need to be made in order to offer sufficient BTU output to the system.

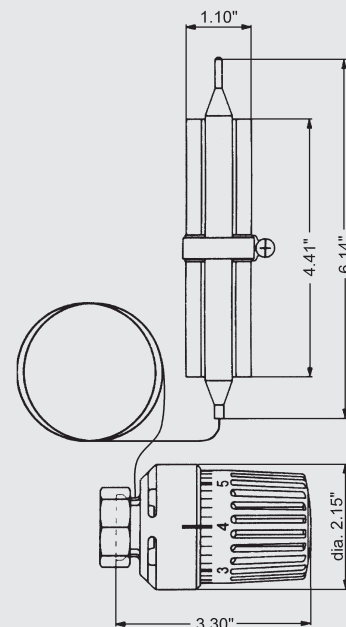
Troubleshooting

If your temperature controller does not provide enough BTU output at its highest setting during the coldest weather conditions, a higher range actuator may need to be installed.

If system does not respond to changes in actuator setting, check that the actuator is firmly screwed onto the valve. Also examine the sensor capillary for any kinks or damaged sections. If any damage is found the control may need to be replaced.



Dimension



VIEGA • One Company... One Partner... Delivering System Solutions.

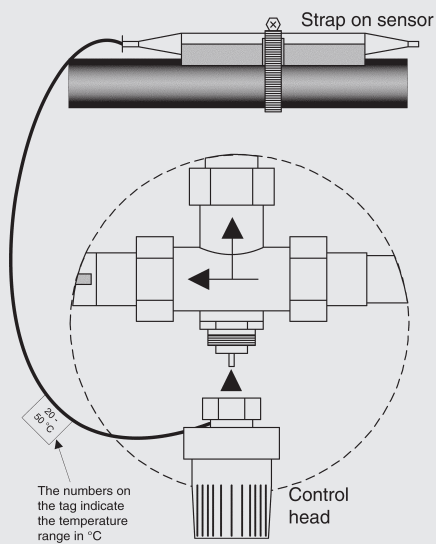
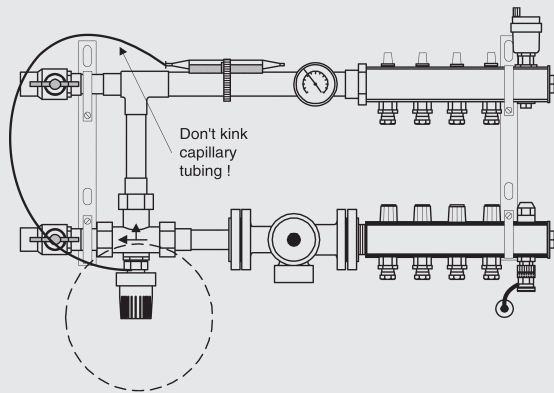
301 N. Main, Floor 9 • Wichita, KS 67202 • Ph: 877-Viega-NA • Fax: 800-976-9817 • E-Mail: service@viega.com • www.viega-na.com

Product Instructions

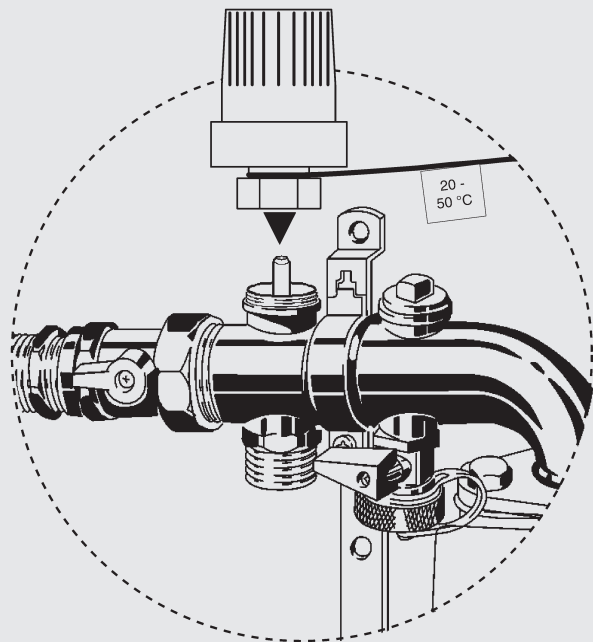
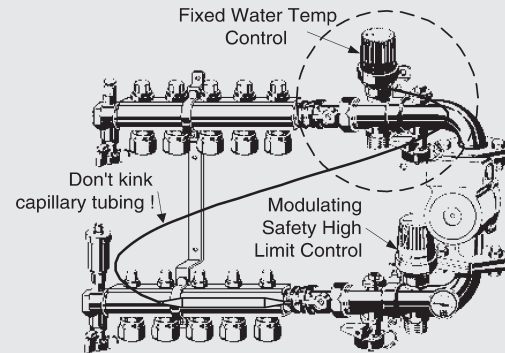
Non-Electric Fixed Water Temperature Control



Mounting the Fixed Water Temperature Control on the Mixing Station or Diverting Valve



Mounting the Fixed Water Temperature Control on the Injection Station



VIEGA • One Company... One Partner... Delivering System Solutions.

301 N. Main, Floor 9 • Wichita, KS 67202 • Ph: 877-Viega-NA • Fax: 800-976-9817 • E-Mail: service@viega.com • www.viega-na.com