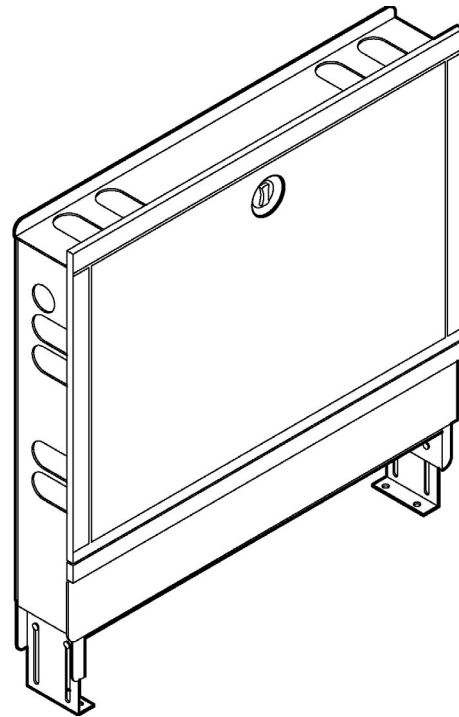


Viega Manifold Cabinet

Viega's Manifold Cabinet is designed to house our 1-1/4" stainless steel manifolds and 1" copper manifolds. The Viega Manifold Cabinet may also be used with zone controls and powerheads in some applications. See the charts below for dimensional information.

Product Overview

- Recess mount
- Adjustable wall depth (4-1/2" - 6")
- 20 Gauge galvanized sheet metal construction (1mm)
- Epoxy polyester powder coating
- Open bottom for easy connection of tubing
- Available with standard knob or optional lock and key (lock and key stock code: 15217)
- Adjustable legs (0 - 3-1/4")
- When using stock code number 15802 the use of two locks is necessary



Manifold Cabinet Dimensions

Stock Code	Outside Dimension W x H x D	Inside Dimension W x H x D
15800	22-5/8" x 31-1/4" x 4-1/2"	21" x 28" x 4-1/2"
15801	28-5/8" x 31-1/2" x 4-1/2"	27" x 28" x 4-1/2"
15802	46" x 31-1/4" x 4-1/2"	25" x 28" x 4-1/2"

1-1/4" Stainless Steel Manifold Dimensional Information

Stock Code	Interior box dimension	Exterior box dimension	1-1/4" stainless steel manifold with no accessories	1-1/4" stainless steel manifold with ball valve set	1-1/4" stainless steel manifold with ball valve set and adapters for flow through	1-1/4" stainless steel Manifold with no Accessories and Zone Control	1-1/4" stainless steel manifold with ball valve set and Zone Control
15800	21"	22- 5/8"	2-6 outlet manifold	2-5 outlet manifold	2-4 outlet manifold	2 outlet manifold	N/A
15801	27"	28-3/8"	2-9 outlet manifold	2-8 outlet manifold	2-7 outlet manifold	2-4 outlet manifold	2-3 outlet manifold
15802	45"	46"	2-12 outlet manifold	2-12 outlet manifold	2-12 outlet manifold	2-12 outlet manifold	2-12 outlet manifold

Notes: If use of a zone control is necessary, hold the manifold to the right and install the zone control on the left side of the manifold cabinet. Use of a zone control in the manifold cabinet is not compatible with flow through applications.

1" Copper Manifold Dimensional Information

Stock Code	Interior box dimension	Exterior box dimension	1" Copper manifold No Accessories	1" copper manifold with ProPress ball valve and end cap
15800	21"	22-5/8"	2,3,4 outlet manifold	N/A
15801	27"	28-3/8"	2,3,4 outlet manifold	2,3,4 outlet manifold
15802	45"	46"	2,3,4 and 12 outlet manifold	2,3,4 and 12 outlet manifold

Viega... The global leader in plumbing, heating and pipe joining systems

301 N. Main, 9th Floor • Wichita, KS 67202 • Ph: 800-976-9819 • Fax: 316-425-7618 • www.viega.com

©2011, ProPress®, FostaPEX®, Seapress®, MegaPress®, MegaPressG® and Viega® are registered trademarks of Viega GmbH & Co. PureFlow®, Smart Connect®, Climate Panel®, Climate Mat®, Climate Trak®, MANABLOC®, Radiant Wizard®, S-no-Ice®, Snap Panel®, XL® and XL-C® are registered trademarks of Viega LLC. MiniBloc™, ProRadiant™, PolyAlloy™, SmartLoop™ and Zero Lead™ are trademarks of Viega LLC; GeoFusion™, ProPressG™ and ViegaPEX™ are trademarks of Viega GmbH & Co. KG.