


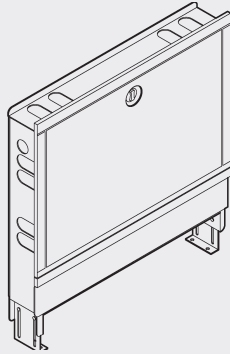
Viega Manifold Cabinet

January 2012



Viega Manifold Cabinet features and benefits:

- Expandable depth (4-1/2" to 6") and adjustable brackets allow for easy installation
- Accommodates stainless and 1" copper manifolds
- Zone control and powerheads can be mounted in specific manifold cabinets for easy wiring
- Available with standard knob or optional lock and key
- Finish painted with epoxy polyester powder coating

	Stock Code	Dimension	Qty	List Price Each (\$)
 <p>VIEGA MANIFOLD CABINET The manifold cabinet comes with a painted finish and is for recessed wall installation. The cabinet has adjustable rails to fit stainless and 1" copper manifolds. The adjustable depth allows for installation in walls of various depths. A zone control could be mounted in the manifold cabinet for easy installation</p> <p>DISCOUNT 6 model 28796US</p> <p>Optional lock and key assembly. Mechanism is white plastic with a metal lock bar. model 28577US</p>		W x H x D		
	15800	I.D. 21" x 28" x 4-1/2" O.D. 22-5/8" x 31-1/4" x 4-1/2"		274.51
	15801	I.D. 27" x 28" x 4-1/2" O.D. 28-3/8" x 31-1/4" x 4-1/2"		312.21
	15802	I.D. 45" x 28" x 4-1/2" O.D. 46" x 31-1/4" x 4-1/2"		423.95
	15217			22.96



1-1/4" Stainless Steel Manifold Dimensional Information							
Stock Code	Interior box dimension	Exterior box dimension	1-1/4" stainless steel manifold with no accessories	1-1/4" stainless steel manifold with ball valve set	1-1/4" stainless steel manifold with ball valve set and adapters for flow through	1-1/4" stainless steel manifold with no accessories and zone control	1-1/4" stainless steel manifold with ball valve set and zone control
15800	21"	22-5/8"	2-6 outlet manifold	2-5 outlet manifold	2-4 outlet manifold	2 outlet manifold	N/A
15801	27"	28-3/8"	2-9 outlet manifold	2-8 outlet manifold	2-7 outlet manifold	2-4 outlet manifold	2-3 outlet manifold
15802	45"	46"	2-12 outlet manifold	2-12 outlet manifold	2-12 outlet manifold	2-12 outlet manifold	2-12 outlet manifold

Notes: If use of a zone control is necessary, hold the manifold to the right and install the zone control on the left side of the manifold cabinet. Use of a zone control in the manifold cabinet is not compatible with flow through applications.

1" Copper Manifold Dimensional Information				
Stock Code	Interior box dimension	Exterior box dimension	1" Copper manifold no accessories	1" Copper manifold with ProPress ball valve and end cap
15800	21"	22-5/8"	2, 3, 4 outlet manifold	N/A
15801	27"	28-3/8"	2, 3, 4 outlet manifold	2, 3, 4 outlet manifold
15802	45"	46"	2, 3, 4 and 12 outlet manifold	2, 3, 4 and 12 outlet manifold

Notes: Copper manifolds are available in 2, 3, 4 and 12 outlet configurations. Manifold brackets are sold separately for copper manifolds.