

# Product Instructions

viEGA

## Installing the Viega Manifold Cabinet

The manifold cabinets are designed for recess mounting and are height and depth adjustable. The sidewalls and top contain knockouts for piping and electrical connections with the bottom of the cabinet left open to make connecting the tubing to the manifold easier. The cabinets are made of galvanized steel and come finish painted. Locking is available and can be purchased separately.

### Site Prep

- The wall opening for the cabinet should be framed slightly larger than the box itself, approximately 1/8" - 1/4". When framing, keep in mind the minimum wall depth is 4-1/2". For framing purposes please refer to dimensions listed in chart below.

Stock Code	Outside Width	Outside Height
15800	22 5/8"	28" - 31"
15801	28 3/8"	28" - 31"
15802	46"	28" - 31"

Note: Please add 1/8" - 1/4" to above dimensions when framing.

### Manifold Cabinet Preparation

1. Remove the manifold cabinet from its packaging.
2. Remove the front door and the door frame.
3. Remove the slide-out bottom kick plate.
4. Remove the knockouts that you plan to use.
5. With a pair of tin snips remove the thin piece of metal left behind in between the knockouts. This will prevent larger diameter tubing from contacting the cabinet.
6. Loosen the leg Mounting Hardware (legs are adjustable up to 3-1/4").

7. Using an 1/8" drill bit, drill the metal enclosure for the mounting screws (typically this would be done top and bottom of each side). See Figure 1.

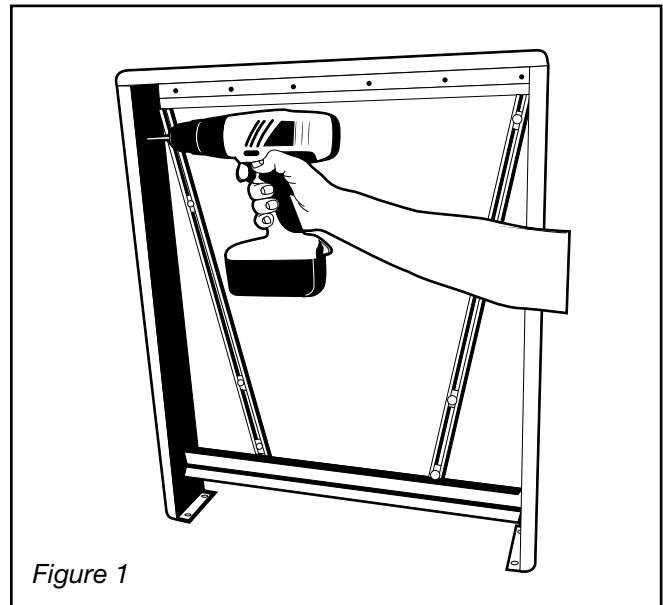


Figure 1

8. Drill the framing members to accommodate your manifold piping. (Please follow local building codes when drilling or notching.)

### Mounting the Cabinet

1. Check to be sure the opening is the proper size.
2. Slide the cabinet into the wall cavity.
3. Lift up the cabinet so that the top of the box is flush with the top of the wall opening. If applicable, slide the legs down until they rest on the floor and tighten the wing nuts.
4. Keep the front edge of the box even with the framing members.
5. Using 1-1/4" screws attach the cabinet to the framing members in the holes previously drilled.

**Viega... The global leader in plumbing, heating and pipe joining systems**

301 N. Main, 9th Floor • Wichita, KS 67202 • Ph: 800-976-9819 • Fax: 316-425-7618 • www.viega.com

©2011, ProPress®, FostaPEX®, Seapress®, MegaPress®, MegaPressG® and Viega® are registered trademarks of Viega GmbH & Co. PureFlow®, Smart Connect®, Climate Panel®, Climate Mat®, Climate Trak®, MANABLOC®, Radiant Wizard®, S-no-Ice®, Snap Panel®, XL® and XL-C® are registered trademarks of Viega LLC. MiniBloc™, ProRadiant™, PolyAlloy™, SmartLoop™ and Zero Lead™ are trademarks of Viega LLC; GeoFusion™, ProPressG™ and ViegaPEX™ are trademarks of Viega GmbH & Co. KG.

# Product Instructions

viiega

## Attaching the Manifold

1. Insert the Viega manifold into the cabinet.
2. Using the hangers provided with the manifold, attach the manifold to the cabinet rails. See Figure 2.

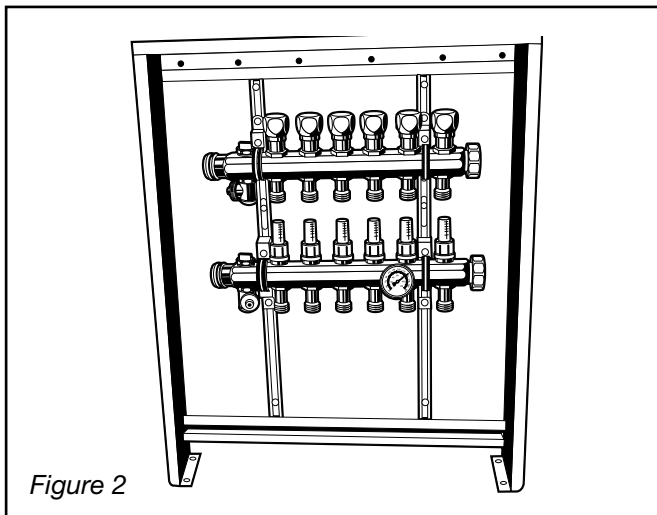


Figure 2

3. Adjust the location of the manifold with the adjustable rails, making sure the manifold aligns with the knockouts on the side of the manifold cabinet; if a zone control is to be used, position your manifold to the right, leaving room for the zone control. See Figure 2a.

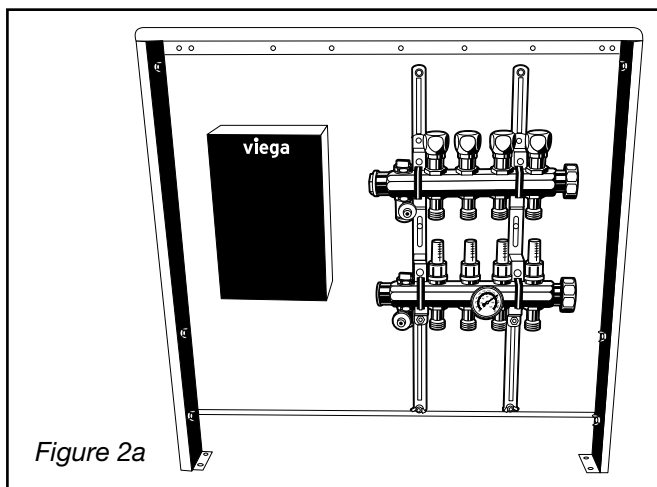


Figure 2a

4. Once the location of the manifold has been confirmed fully tighten the mounting hardware.
5. Connect the inlet and outlet piping to the manifold.

## Attaching the Door Frame

1. After locating the door frame brackets, turn them 90° so they are facing towards the enclosure.
2. Slide the door frame brackets towards the manifold cabinet studs until they attach onto the manifold cabinet. See Figure 3.

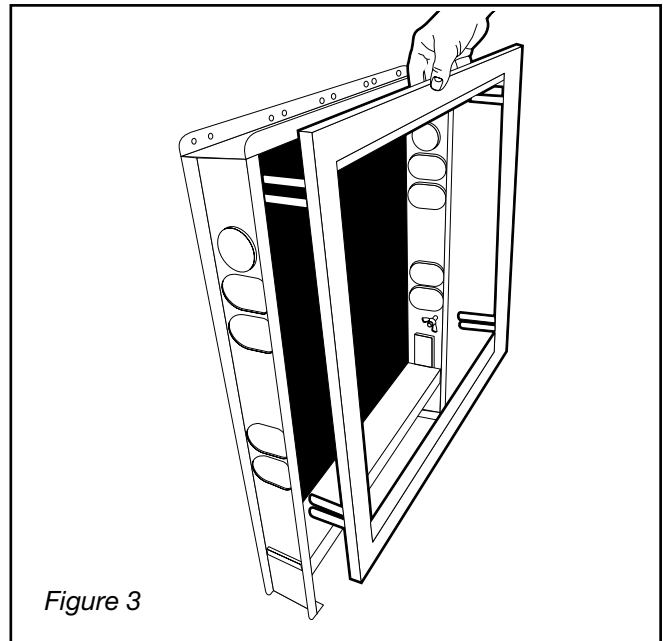


Figure 3

3. Push the door frame in so that it is even with the front of the manifold box and is flush with the wall surface.
4. Before installing the door, review all heating, electrical and mounting hardware connections to be sure they are properly tightened.

**Viega... The global leader in plumbing, heating and pipe joining systems**

301 N. Main, 9th Floor • Wichita, KS 67202 • Ph: 800-976-9819 • Fax: 316-425-7618 • [www.viega.com](http://www.viega.com)

©2011, ProPress®, FostaPEX®, Seapress®, MegaPress®, MegaPressG® and Viega® are registered trademarks of Viega GmbH & Co. PureFlow®, Smart Connect®, Climate Panel®, Climate Mat®, Climate Trak®, MANABLOC®, Radiant Wizard®, S-no-Ice®, Snap Panel®, XL® and XL-C® are registered trademarks of Viega LLC. MiniBloc™, ProRadiant™, PolyAlloy™, SmartLoop™ and Zero Lead™ are trademarks of Viega LLC; GeoFusion™, ProPressG™ and ViegaPEX™ are trademarks of Viega GmbH & Co. KG.

# Product Instructions

viEGA

## Installing the Door

1. Tilt the door at a 45° angle
2. Insert the lower portion of the door into the bottom of the door frame. See Figure 4.

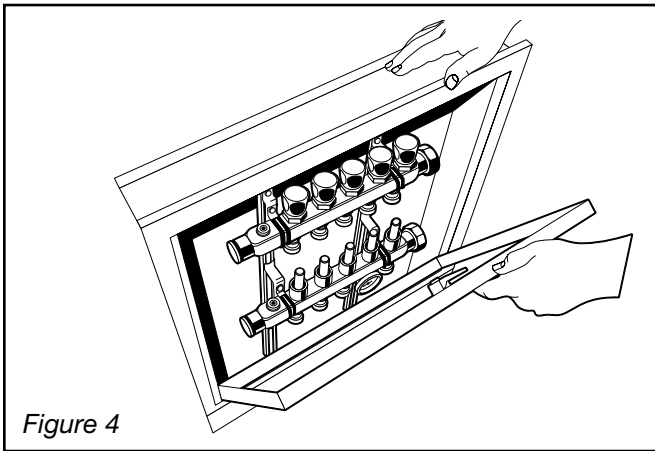


Figure 4

3. Push the top portion of the door flush into the frame and turn the knob or lock to secure the door.
4. Reinstall the slide-in bottom kick plate.

## Installing the Lock

1. Remove the door from the cabinet.
2. Place the door face down on a flat surface.
3. Locate the retaining wedge on the back side of the knob.
4. Insert the blade of a small screwdriver under the lip of the retaining wedge and pry the wedge out. See Figure 5.

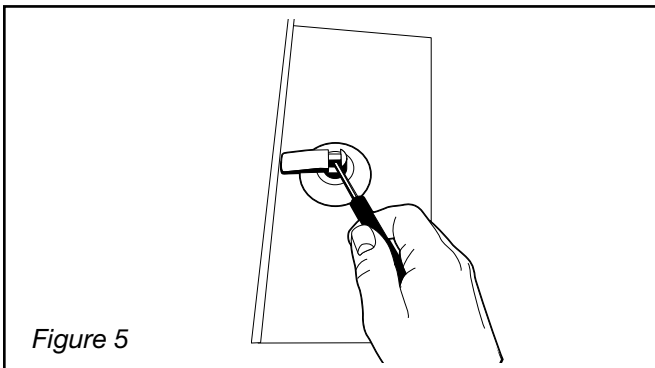


Figure 5

5. Stand the door upright.
6. With a small pair of pliers squeeze the two triangular tabs together while simultaneously pushing the back of the knob out the front of the cabinet door.
7. Slide the lock cylinder through the front of the door. See Figure 6.

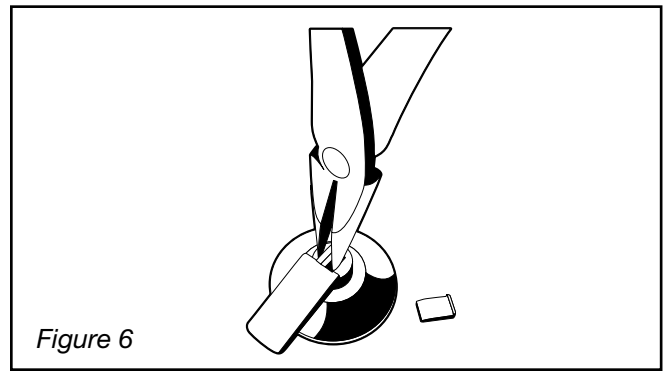


Figure 6

8. Be sure to position the lock in the upright position and attach the plastic nut on the back side of the lock cylinder. See Figure 7.

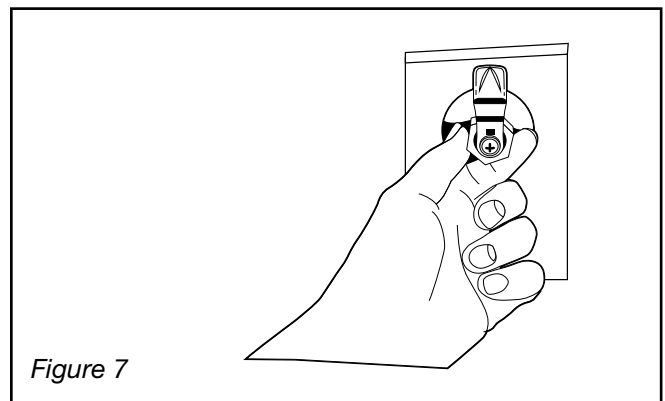


Figure 7

**ViEga... The global leader in plumbing, heating and pipe joining systems**

301 N. Main, 9th Floor • Wichita, KS 67202 • Ph: 800-976-9819 • Fax: 316-425-7618 • [www.viega.com](http://www.viega.com)

©2011, ProPress®, FostaPEX®, Seapress®, MegaPress®, MegaPressG® and ViEga® are registered trademarks of ViEga GmbH & Co. PureFlow®, Smart Connect®, Climate Panel®, Climate Mat®, Climate Trak®, MANABLOC®, Radiant Wizard®, S-no-Ice®, Snap Panel®, XL® and XL-C® are registered trademarks of ViEga LLC. MiniBloc™, ProRadiant™, PolyAlloy™, SmartLoop™ and Zero Lead™ are trademarks of ViEga LLC; GeoFusion™, ProPressG™ and ViEgaPEX™ are trademarks of ViEga GmbH & Co. KG.

# Product Instructions



9. Using a pair of pliers lightly tighten the plastic nut.
10. The lock installation is now complete and will lock and unlock with the use of the keys provided.

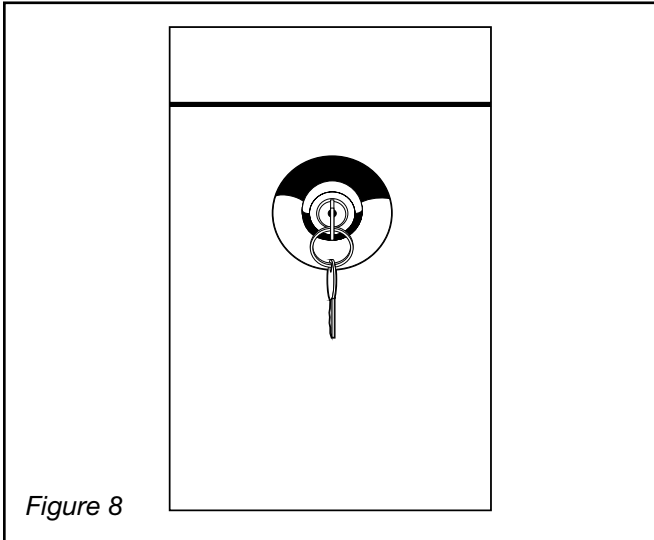


Figure 8

Note: Manifold cabinet stock code #15802 requires 2 lock sets be used.

## Dimensional Information

1-1/4" Stainless Steel Manifold Dimensional Information							
Stock Code	Interior box dimension	Exterior box dimension	1-1/4" stainless steel manifold with no accessories	1-1/4" stainless steel manifold with ball valve set	1-1/4" stainless steel manifold with ball valve set and adapters for flow through	1-1/4" stainless steel Manifold with no Accessories and Zone Control	1-1/4" stainless steel manifold with ball valve set and Zone Control
15800	21"	22- 5/8"	2-6 outlet manifold	2-5 outlet manifold	2-4 outlet manifold	2 outlet manifold	N/A
15801	27"	28-3/8"	2-9 outlet manifold	2-8 outlet manifold	2-7 outlet manifold	2-4 outlet manifold	2-3 outlet manifold
15802	45"	46"	2-12 outlet manifold	2-12 outlet manifold	2-12 outlet manifold	2-12 outlet manifold	2-12 outlet manifold

Notes: If use of a zone control is necessary, hold the manifold to the right and install the zone control on the left side of the manifold cabinet. Use of a zone control in the manifold cabinet is not compatible with flow through applications.

1" Copper Manifold Dimensional Information				
Stock Code	Interior box dimension	Exterior box dimension	1" Copper manifold No Accessories	1" copper manifold with ProPress ball valve and end cap
15800	21"	22-5/8"	2,3,4 outlet manifold	N/A
15801	27"	28-3/8"	2,3,4 outlet manifold	2,3,4 outlet manifold
15802	45"	46"	2,3,4 and 12 outlet manifold	2,3,4 and 12 outlet manifold

Notes: Copper manifolds are available in 2,3,4, and 12 outlet configurations. Manifold brackets are sold separately for copper manifolds.

### Viega... The global leader in plumbing, heating and pipe joining systems

301 N. Main, 9th Floor • Wichita, KS 67202 • Ph: 800-976-9819 • Fax: 316-425-7618 • www.viega.com

©2011, ProPress®, FostaPEX®, Seapress®, MegaPress®, MegaPressG® and Viega® are registered trademarks of Viega GmbH & Co. PureFlow®, Smart Connect®, Climate Panel®, Climate Mat®, Climate Trak®, MANABLOC®, Radiant Wizard®, S-no-Ice®, Snap Panel®, XL® and XL-C® are registered trademarks of Viega LLC. MiniBloc™, ProRadiant™, PolyAlloy™, SmartLoop™ and Zero Lead™ are trademarks of Viega LLC; GeoFusion™, ProPressG™ and ViegaPEX™ are trademarks of Viega GmbH & Co. KG.