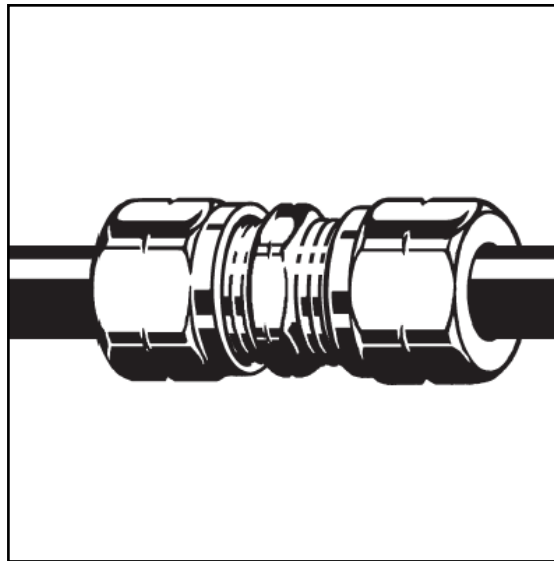
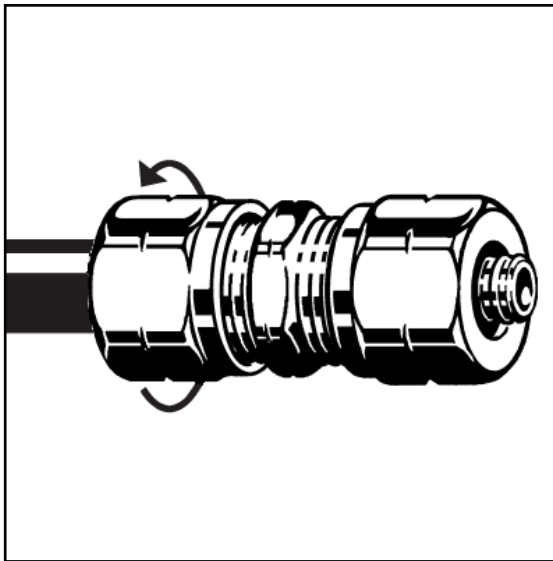
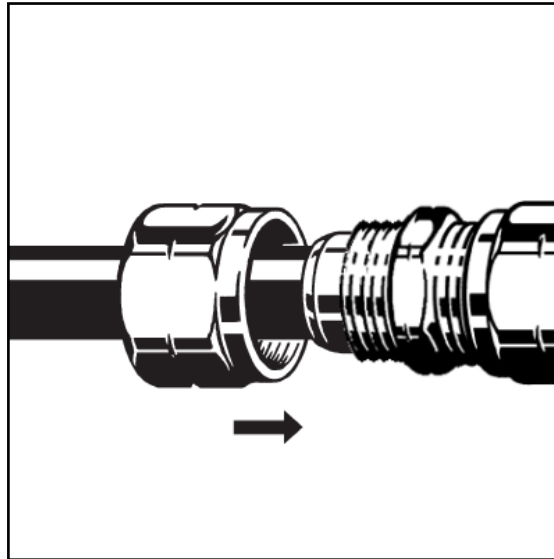
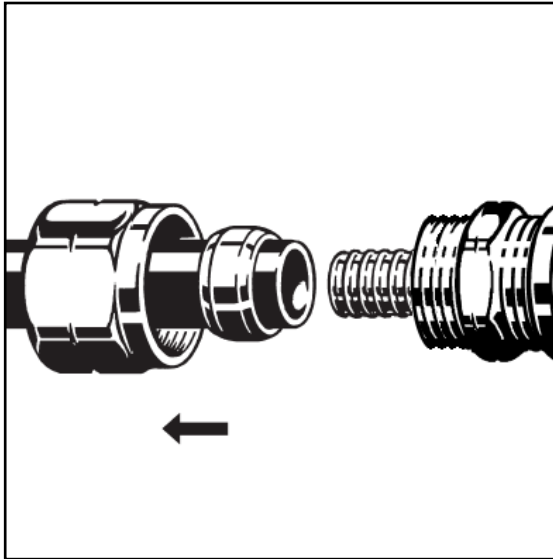


# Product Instructions

viega

## Compression Coupling 5/16"



1. Square off tubing to proper length. Slide compression nut up tubing and slip brass ferrule over tubing.
2. Slide tubing over onto coupling barb, pushing it on fully until tubing is flush with shoulder of fitting. Slide ferrule up to shoulder of fitting.
3. Tighten compression nut to secure tubing. Re-tighten compression nut after 30 minutes.
4. Repeat the same procedure for the other side of the compression coupling.

**Viega... The global leader in plumbing, heating and pipe joining systems.**

301 N. Main, 9th Floor • Wichita, KS 67202 • Ph: 800-976-9819 • Fax: 800-976-9817 • E-Mail: insidesales@viega.com • www.viega.com  
PI-PR-514847 0911 (Compression Coupling 5/16")