



Basic Digital Setpoint Control II

Applications

The Viega Basic Digital Setpoint Control II is a general purpose temperature control with a wide range of applications in the HVAC industry. This control provides two isolated SPDT relay contacts. The two relays are controlled by a watertight sensor. Included with the Basic Digital Setpoint Control. This control is commonly used as basic heating and/ or cooling system control for commercial and residential slab application.

Features

- Setpoint Control for Heating and Cooling
- Simple installation and programming
- Large digital LCD display
- Reliable, economical
- Two relay outputs with individual Setpoint capability
- Watertight Sensor included

Specifications

*Digital Setpoint Control II
with watertight sensor (17029)*

Watertight Sensor (17031)

Digital Setpoint Control II

Input: 24V, 120V, 240V

Output: 2 SPDT dry contacts,
1/2 hp @ 120 VAC
9.8 FLA, 58.8 LRA

Sensor: 6' Resistor, extendable up to 100'

Setpoint: -40 - 248°F range

Differential: 1 - 150°F range

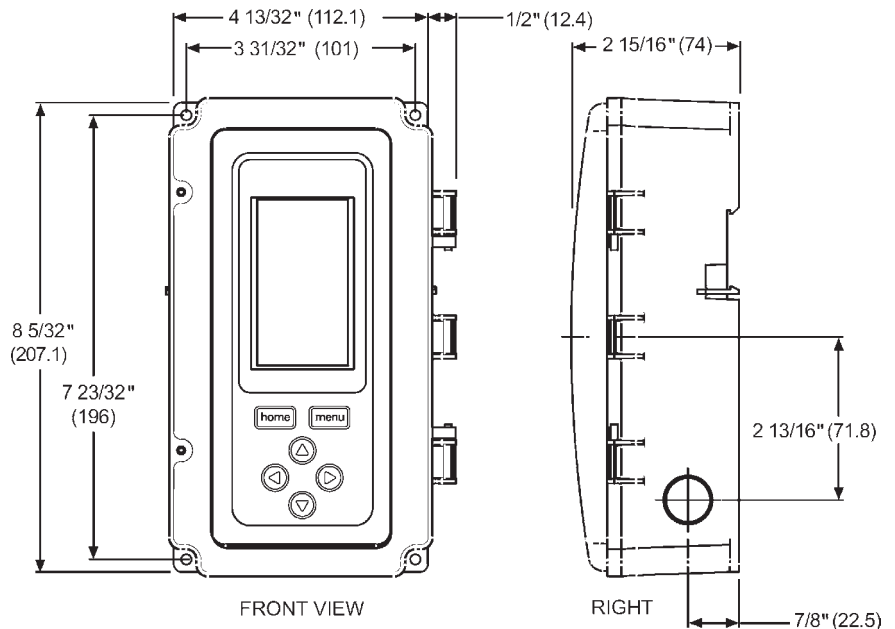
Accuracy: +/- 1°F

Environment: -40 - 140°F, 5 - 95% rH,
non-condensing

Power draw: 8 VA

Dimensions: 4.91 x 8.16 x 2.37 in.

Digital Setpoint Control II



VIEGA
301 N. Main, Floor 9
Wichita, KS 67202
Phone: 877-843-4262
Fax: 1-800-976-9817