

Submittal Package
PEX Press Fittings with Attached Sleeves
For Use with Viega PureFlow Tubing

Project:

Engineer:

Contractor:

Submitted By:



Potable Water

Other _____

Submittal Package PEX Press Fittings with Attached Sleeves For Use with Viega PureFlow Tubing

Technical Data

Materials:

Fittings.....	Bronze alloy
Press Sleeves.....	Stainless Steel
ViegaPEX™, ViegaPEX Ultra Tubing.....	PEX (crosslinked polyethylene)
FostaPEX Tubing.....	PEX base tubing with aluminum and PE outer layers

Applications

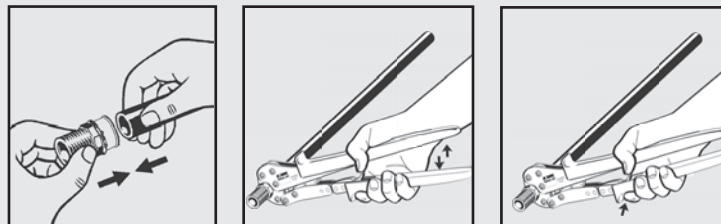
Bronze alloy fittings are intended for use in potable water systems, heating or snow melting applications and residential fire sprinkler systems meeting the NFPA 13D.* Bronze is dezincification resistant, resists aggressive water conditions and can be directly buried in soil (fittings used for repairs in concrete should be wrapped). These fittings with attached sleeves incorporate a color-coded tool locator ring that matches Viega's hand PEX Press tool colors. Fittings are manufactured with PureFlow PEX Press barbs for use with ViegaPEX, ViegaPEX Ultra, FostaPEX, ViegaPEX Barrier tubing and tools.

Installation

- Use only PureFlow tubing and approved tools to make connections
- Keep flame and excessive heat away from tubing and connections.
- Refer to the PureFlow Installation Manual for additional information.

Codes Approvals & Standards

- UL 1821*
- cNSF® us-pw
- U.P. Code
- UPC®
- ASTM F876 / F877
- ICC ES-PMG™ 1015/1038



THREE SIMPLE STEPS TO A SECURE PEX PRESS PUREFLOW FITTING CONNECTION.

- 1 INSERT PEX PRESS FITTING WITH ATTACHED SLEEVE INTO TUBING AND ENGAGE FULLY. TUBING SHOULD BE VISIBLE THROUGH VIEW HOLES.
- 2 POSITION PRESS TOOL PERPENDICULAR OVER PRESS SLEEVE AND CLOSE TOOL JAWS TO ENGAGE RATCHET.
- 3 CLOSE HANDLES, USING TRIGGER TO REDUCE GRIP SPAN IF DESIRED.

* ViegaPEX Ultra Black in 3/4" through 1-1/2" sizes only.

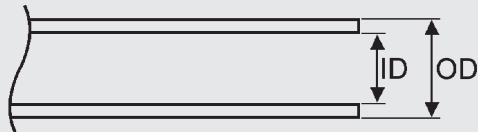
Viega... the global leader in plumbing and heating systems.

301 N. Main, 9th Floor • Wichita, KS 67202 • Ph: 800-976-9819 • Fax: 800-976-9817 • E-Mail: service@viega.com • www.viega.com

Submittal Package PEX Press Fittings with Attached Sleeves For Use with Viega PureFlow Tubing

ViegaPEX and ViegaPEX UltraTubing

Material.....PEX crosslinked polyethylene
 Temperature/Pressure Ratings...200°F at 80 psi
 180°F at 100 psi
 73.4°F at 160 psi
 Linear Expansion Rate.....1.1 in./100 ft./10°F

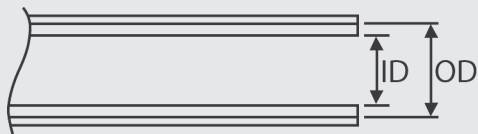


Nominal Size	Inner Diameter	Outer Diameter	Wall Thickness
3/8"	0.350	0.500±.003	0.070±.010
1/2"	0.475	0.625±.004	0.070±.010
3/4"	0.671	0.875±.004	0.097±.010
1"	0.863	1.125±.005	0.125±.013
1-1/4"	1.053	1.375±.005	0.153±.015
1-1/2"	1.243	1.625±.006	0.181±.019

NOTE: Dimensions are in English units. Tolerances shown are ASTM requirements. ViegaPEX and ViegaPEX Ultra are manufactures within these specifications.

FostaPEX Tubing

Material.....PEX crosslinked polyethylene with aluminum and PE outer layers
 Temperature/Pressure Ratings...200°F at 80 psi
 180°F at 100 psi
 73.4°F at 160 psi
 Linear Expansion Rate.....0.16 in./100 ft./10°F



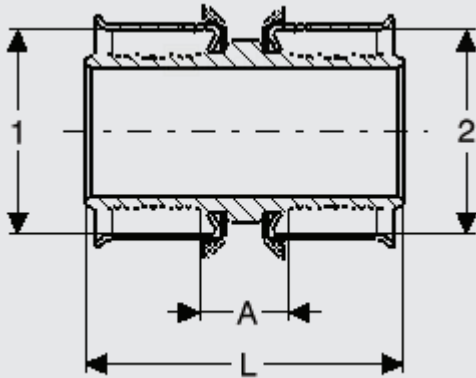
Nominal Size	Inner Diameter	Outer Diameter	Wall Thickness
1/2"	0.475	0.625±.004	0.070±.010
3/4"	0.671	0.875±.004	0.097±.010
1"	0.863	1.125±.005	0.125±.013

NOTE: Dimensions are in English units. Tolerances shown are ASTM requirements. FostaPEX is manufactures within these specifications. (These dimensions do not reflect the outer aluminum and PE layers.)

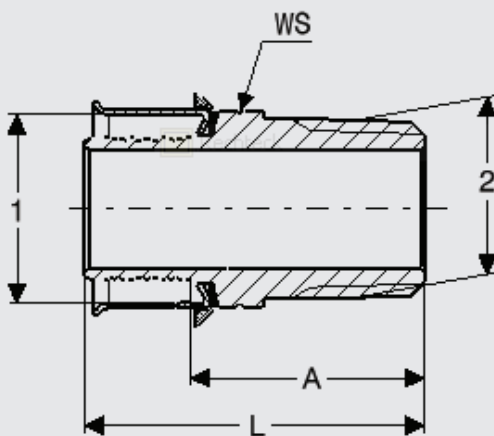
Viega... the global leader in plumbing and heating systems.

301 N. Main, 9th Floor • Wichita, KS 67202 • Ph: 800-976-9819 • Fax: 800-976-9817 • E-Mail: service@viega.com • www.viega.com

Dimensional Documentation PEX Press Fittings with Attached Sleeves



PEX Press Couplings			
Stock Code	Dimensions 1 x 2	A (in)	L (in)
83001	5/16"	0.394	1.378
83000	3/8"	0.394	1.378
83020	1/2"	0.394	1.378
83050	1/2" x 3/4"	0.394	1.378
83030	5/8"	0.394	1.378
83040	3/4"	0.394	1.378
83055	3/4" x 1"	0.472	1.575
83071	3/4" x 1-1/4"	0.512	1.870
83060	1"	0.472	1.693
83065	1" x 1-1/4"	0.551	2.028
83073	1" x 1-1/2"	0.551	2.028
83070	1-1/4"	0.669	2.402
83075	1-1/4" x 1-1/2"	0.591	2.323
83080	1-1/2"	0.669	2.402
83072	3/4" x 1-1/2"	0.512	1.870

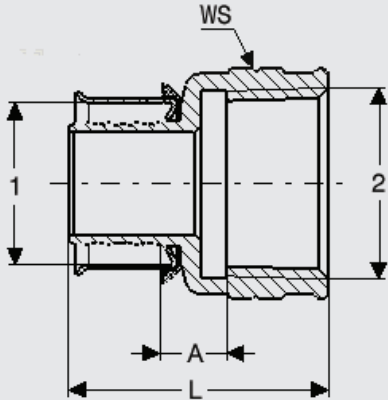


PEX Press Male NPT Adapters				
Stock Code	Dimensions 1 x 2	A (in)	L (in)	WS (in)
80506	3/8" x 1/2" M NPT	1.280	1.791	0.866
80521	1/2" x 1/2" M NPT	1.240	1.752	0.866
80526	1/2" x 3/4" M NPT	1.280	1.791	1.063
80527	5/8" x 1/2" M NPT	1.240	1.752	0.866
80531	5/8" x 3/4" M NPT	1.280	1.791	1.063
80542	3/4" x 1/2" M NPT	1.102	1.610	0.866
80541	3/4" x 3/4" M NPT	1.299	1.791	1.063
80546	3/4" x 1" M NPT	1.575	2.067	1.339
80562	3/4" x 1-1/4" M NPT	1.654	2.146	1.732
80556	1" x 3/4" M NPT	1.339	1.949	1.063
80561	1" x 1" M NPT	1.614	2.224	1.339
80566	1" x 1-1/4" M NPT	1.654	2.264	1.732
80571	1-1/4" x 1-1/4" M NPT	1.673	2.539	1.732
80581	1-1/2" x 1-1/2" M NPT	1.791	2.657	1.969

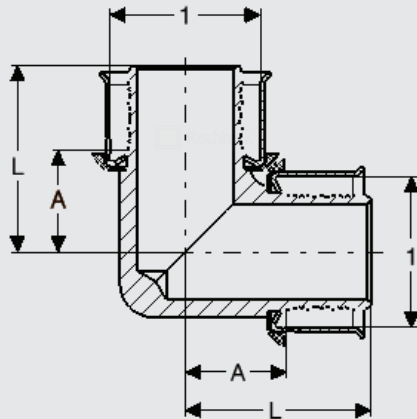
Viega... the global leader in plumbing and heating systems.

301 N. Main, 9th Floor • Wichita, KS 67202 • Ph: 800-976-9819 • Fax: 800-976-9817 • E-Mail: service@viega.com • www.viega.com

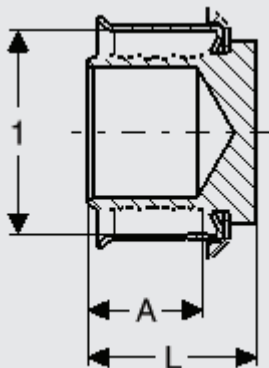
Dimensional Documentation PEX Press Fittings with Attached Sleeves



PEX Press Female NPT Adapters				
Stock Code	Dimensions 1 x 2	A (in)	L (in)	WS (in)
81520	1/2" x 1/2" F NPT	0.354	1.378	0.984
81525	1/2" x 3/4" F NPT	0.354	1.417	1.201
81541	3/4" x 1/2" F NPT	0.354	1.378	0.984
81540	3/4" x 3/4" F NPT	0.354	1.417	1.201
81545	1" x 3/4" F NPT	0.394	1.575	1.201
81560	1" x 1" F NPT	0.413	1.693	1.476



PEX Press Elbows			
Stock Code	Dimensions 1	A (in)	L (in)
83520	1/2"	0.472	0.965
83530	5/8"	0.591	1.102
83540	3/4"	0.591	1.102
83560	1"	0.886	1.496
83570	1-1/4"	0.945	1.811
83580	1-1/2"	1.083	1.949

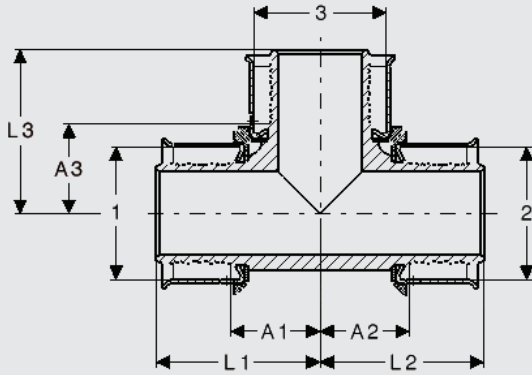


PEX Press Test Plugs			
Stock Code	Dimensions 1	A (in)	L (in)
85000	3/8"	0.472	0.728
85121	1/2"	0.472	0.728
85131	5/8"	0.472	0.728
85141	3/4"	0.472	0.728
85161	1"	0.610	0.925

Viega... the global leader in plumbing and heating systems.

301 N. Main, 9th Floor • Wichita, KS 67202 • Ph: 800-976-9819 • Fax: 800-976-9817 • E-Mail: service@viega.com • www.viega.com

Dimensional Documentation PEX Press Fittings with Attached Sleeves

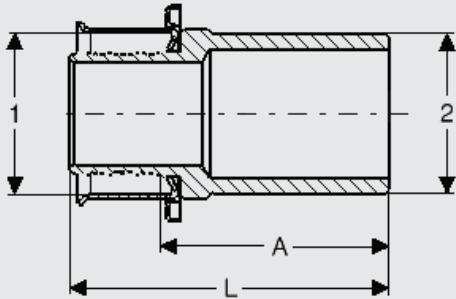


PEX Press Tees / Reducing Tees							
Stock Code	Dimensions 1 x 2 x 3	A1 (in)	A2 (in)	A3 (in)	L1 (in)	L2 (in)	L3 (in)
84020	1/2"	0.472	0.472	0.472	0.965	0.965	0.965
84021	1/2" x 3/8" x 3/8"	0.472	0.472	0.472	0.965	0.965	0.965
84022	1/2" x 1/2" x 3/4"	0.591	0.591	0.591	1.083	1.083	1.083
84030	5/8"	0.591	0.591	0.591	1.083	1.083	1.083
84040	3/4"	0.591	0.591	0.591	1.083	1.083	1.083
84032	3/4" x 1/2" x 1/2"	0.591	0.591	0.591	1.083	1.083	1.083
84034	3/4" x 1/2" x 3/4"	0.591	0.591	0.591	1.083	1.083	1.083
84036	3/4" x 3/4" x 1/2"	0.591	0.591	0.591	1.083	1.083	1.083
84060	1"	0.886	0.886	0.886	1.496	1.496	1.496
84037	1" x 1/2" x 1/2"	0.591	0.591	0.787	1.201	1.083	1.280
84039	1" x 1/2" x 1"	0.768	0.748	0.768	1.378	1.240	1.378
84038	1" x 3/4" x 1/2"	0.591	0.591	0.787	1.201	1.083	1.280
84052	1" x 3/4" x 3/4"	0.807	0.768	0.846	1.398	1.260	1.339
84053	1" x 3/4" x 1"	0.748	0.689	0.748	1.378	1.201	1.378
84050	1" x 1" x 1/2"	0.689	0.689	0.846	1.280	1.299	1.339
84056	1" x 1" x 3/4"	0.807	0.807	0.846	1.417	1.417	1.339
84070	1-1/4"	0.945	0.945	0.945	1.811	1.811	1.811
84071	1-1/4" x 1" x 3/4"	0.728	0.748	0.906	1.594	1.358	1.398
84073	1-1/4" x 1" x 1"	0.807	0.827	0.945	1.673	1.437	1.555
84072	1-1/4" x 1-1/4" x 3/4"	0.728	0.728	0.886	1.594	1.594	1.398
84074	1-1/4" x 1-1/4" x 1"	0.807	0.807	0.945	1.673	1.673	1.555
84080	1-1/2"	1.299	1.299	1.299	2.165	2.165	2.165
84081	1-1/2" x 1" x 3/4"	0.728	0.669	0.984	1.594	1.280	1.476
84082	1-1/2" x 1" x 1"	0.846	0.866	1.024	1.713	1.476	1.634
84083	1-1/2" x 1-1/2" x 3/4"	0.728	0.728	0.984	1.594	1.594	1.476
84084	1-1/2" x 1-1/2" x 1"	0.846	0.846	1.024	1.713	1.713	1.634
84085	1-1/2" x 1-1/2" x 1-1/4"	0.965	0.965	1.063	1.831	1.831	1.929

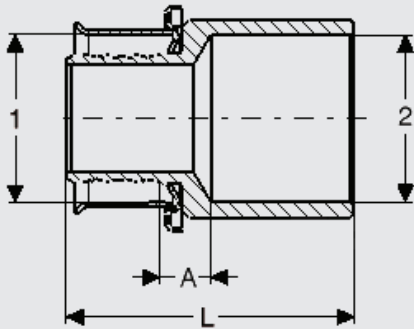
Viega... the global leader in plumbing and heating systems.

301 N. Main, 9th Floor • Wichita, KS 67202 • Ph: 800-976-9819 • Fax: 800-976-9817 • E-Mail: service@viega.com • www.viega.com

Dimensional Documentation PEX Press Fittings with Attached Sleeves



PEX Press Copper Fitting Adapters			
Stock Code	Dimensions 1 x 2	A (in)	L (in)
87520	1/2" x 1/2"	1.083	1.575
87525	1/2" x 3/4"	1.260	1.752
87530	5/8" x 1/2"	1.083	1.575
87531	5/8" x 3/4"	1.260	1.752
87535	3/4" x 1/2"	1.102	1.594
87540	3/4" x 3/4"	1.260	1.752
87545	3/4" x 1"	1.260	1.752
87560	1" x 1"	1.299	1.909
57570	1-1/4" x 1-1/4"	1.634	2.520
57580	1-1/2" x 1-1/2"	2.008	2.874

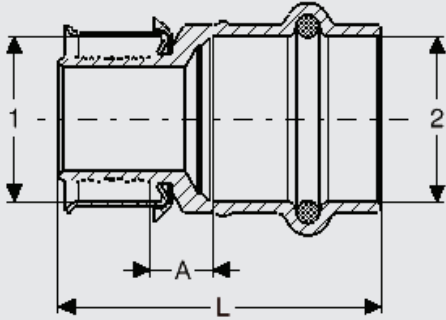


PEX Press Copper Tubing Adapters			
Stock Code	Dimensions 1 x 2	A (in)	L (in)
82006	3/8" x 1/2"	0.276	1.280
82021	1/2" x 1/2"	0.236	1.240
82026	1/2" x 3/4"	0.276	1.516
82027	5/8" x 1/2"	0.256	1.240
82031	5/8" x 3/4"	0.276	1.516
82036	3/4" x 1/2"	0.197	1.181
82041	3/4" x 3/4"	0.276	1.516
82045	3/4" x 1"	0.354	1.772
82060	1" x 1"	0.335	1.890
82070	1-1/4" x 1-1/4"	0.433	2.264
82080	1-1/2" x 1-1/2"	0.453	2.441

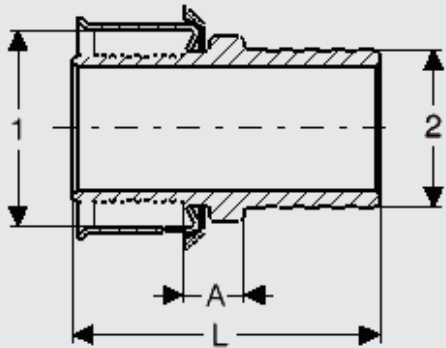
Viega... the global leader in plumbing and heating systems.

301 N. Main, 9th Floor • Wichita, KS 67202 • Ph: 800-976-9819 • Fax: 800-976-9817 • E-Mail: service@viega.com • www.viega.com

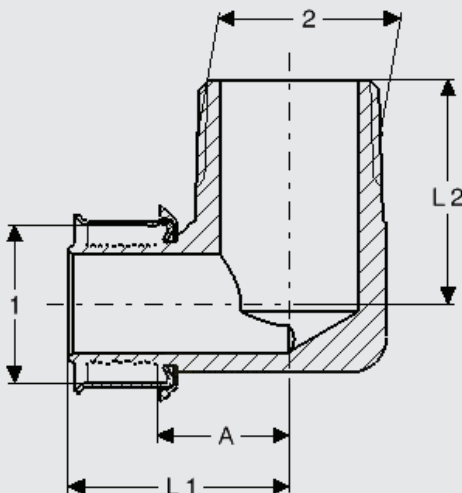
Dimensional Documentation PEX Press Fittings with Attached Sleeves



PEX Press ProPress Adapters			
Stock Code	Dimensions 1 x 2	A (in)	L (in)
69620	1/2" x 1/2"	0.295	1.535
69626	1/2" x 3/4"	0.433	1.831
69627	5/8" x 1/2"	0.256	1.496
69628	5/8" x 3/4"	0.413	1.811
69630	3/4" x 1/2"	0.217	1.457
69640	3/4" x 3/4"	0.335	1.732
69660	1" x 1"	0.453	1.969
69670	1-1/4" x 1-1/4"	0.492	2.382
69680	1-1/2" x 1-1/2"	0.591	2.874



PEX Press PB Adapters			
Stock Code	Dimensions 1 x 2	A (in)	L (in)
87820	1/2" x 1/2"	0.276	1.378
87840	3/4" x 3/4"	0.276	1.378

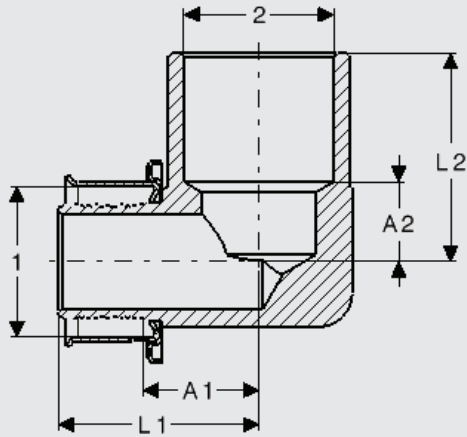


PEX Press Male NPT Elbows				
Stock Code	Dimensions 1 x 2	A (in)	L1 (in)	L2 (in)
82520	1/2" x 1/2" M NPT	0.630	1.142	1.181
82525	1/2" x 3/4" M NPT	0.748	1.220	1.260
82540	3/4" x 3/4" M NPT	0.748	1.240	1.260
82545	3/4" x 1" M NPT	0.984	1.476	1.811
82565	3/4" x 1-1/4" M NPT	1.319	1.811	1.673
82560	1" x 1" M NPT	0.984	1.594	1.811
82570	1" x 1-1/4" M NPT	1.319	1.929	1.673
82575	1-1/4" x 1-1/4" M NPT	1.319	2.185	1.673

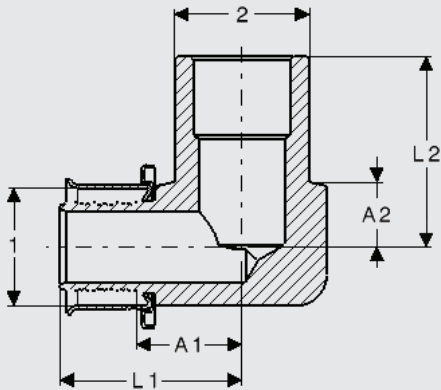
Viega... the global leader in plumbing and heating systems.

301 N. Main, 9th Floor • Wichita, KS 67202 • Ph: 800-976-9819 • Fax: 800-976-9817 • E-Mail: service@viega.com • www.viega.com

Dimensional Documentation PEX Press Fittings with Attached Sleeves



PEX Press Copper Tubing Elbows					
Stock Code	Dimensions 1 x 2	A1 (in)	A2 (in)	L1 (in)	L2 (in)
89307	1/2" x 1/2"	0.709	0.413	1.201	1.240
89308	1/2" x 3/4"	0.689	0.472	1.181	1.220
89313	5/8" x 1/2"	0.689	0.728	1.181	1.240
89312	5/8" x 3/4"	0.689	0.472	1.181	1.240
89311	3/4" x 1/2"	0.689	0.728	1.181	1.240
89309	3/4" x 3/4"	0.689	0.472	1.181	1.220

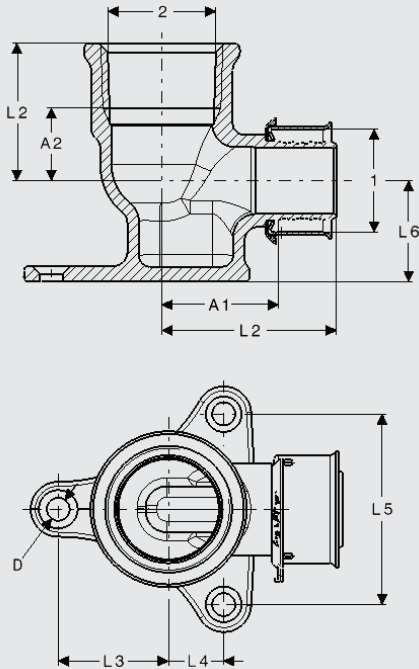


PEX Press Copper Fitting Elbows					
Stock Code	Dimensions 1 x 2	A1 (in)	A2 (in)	L1 (in)	L2 (in)
89310	1/2" x 1/2"	0.571	0.472	1.063	1.063
89307	1/2" x 3/4"	0.709	0.413	1.201	1.240
89313	5/8" x 3/4"	0.689	0.413	1.181	1.240
89311	3/4" x 3/4"	0.689	0.413	1.181	1.240

Viega... the global leader in plumbing and heating systems.

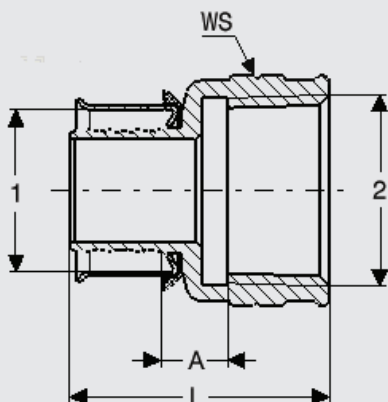
301 N. Main, 9th Floor • Wichita, KS 67202 • Ph: 800-976-9819 • Fax: 800-976-9817 • E-Mail: service@viega.com • www.viega.com

Dimensional Documentation PEX Press Fittings with Attached Sleeves



PEX Press Drop Ear Elbows

Stock Code	Dimensions 1 x 2	A1 (in)	A2 (in)	L1 (in)	L2 (in)	L3 (in)	L4 (in)	L5 (in)	L6 (in)	D (in)
84505	3/8" x 1/2" F NPT	0.886	0.453	1.378	0.984	0.787	0.394	1.358	0.866	0.197
84520	1/2" x 1/2" F NPT	0.886	0.453	1.378	0.984	0.787	0.394	1.358	0.866	0.197
84535	3/4" x 1/2" F NPT	0.886	0.531	1.378	1.063	0.787	0.394	1.358	0.866	0.197
84540	3/4" x 3/4" F NPT	1.004	0.630	1.496	1.181	0.945	0.472	1.634	0.866	0.197



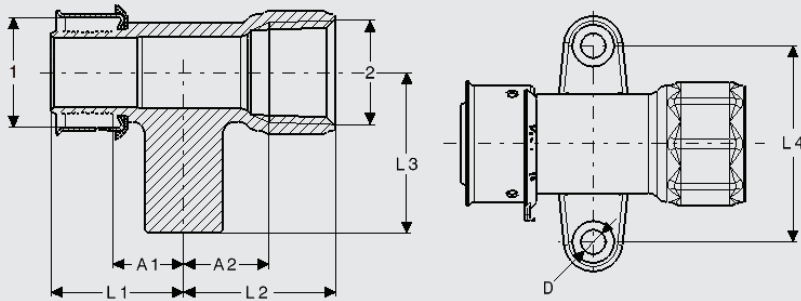
PEX Press Fire Sprinkler Female NPT Adapters

Stock Code	Dimensions 1 x 2	A (in)	L (in)	WS (in)
81541	3/4" x 1/2" F NPT	0.354	1.378	0.984

Viega... the global leader in plumbing and heating systems.

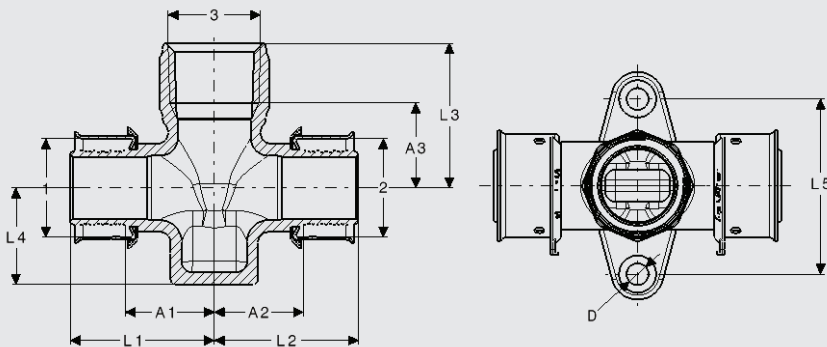
301 N. Main, 9th Floor • Wichita, KS 67202 • Ph: 800-976-9819 • Fax: 800-976-9817 • E-Mail: service@viega.com • www.viega.com

Dimensional Documentation PEX Press Fittings with Attached Sleeves



PEX Press Fire Sprinkler Adapter

Stock Code	Dimensions 1 x 2	A1 (in)	A2 (in)	L1 (in)	L2 (in)	L3 (in)	L4 (in)	D (in)
84632	3/4" x 1/2" F NPT	0.571	0.689	1.063	1.220	1.280	1.575	0.197



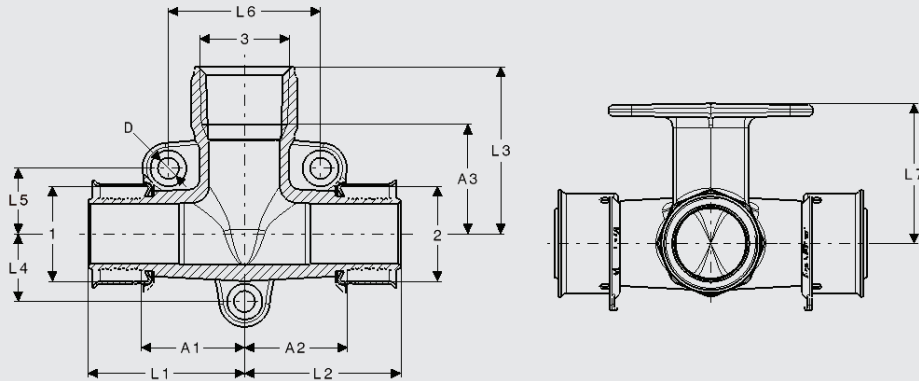
PEX Press Fire Sprinkler Horizontal Tees

Stock Code	Dimensions 1 x 2	A1 (in)	A2 (in)	L1 (in)	L2 (in)	L3 (in)	L4 (in)	L5 (in)	L6 (in)	D (in)
84736	3/4" x 3/4" x 1/2" F NPT	0.807	0.807	0.768	1.299	1.299	1.299	0.866	1.575	0.197
84738	1" x 3/4" x 1/2" F NPT	0.787	1.063	0.906	1.280	1.673	1.457	0.866	1.575	0.197
84739	1" x 1" x 1/2" F NPT	1.063	1.063	0.906	1.673	1.673	1.437	0.866	1.575	0.197

Viega... the global leader in plumbing and heating systems.

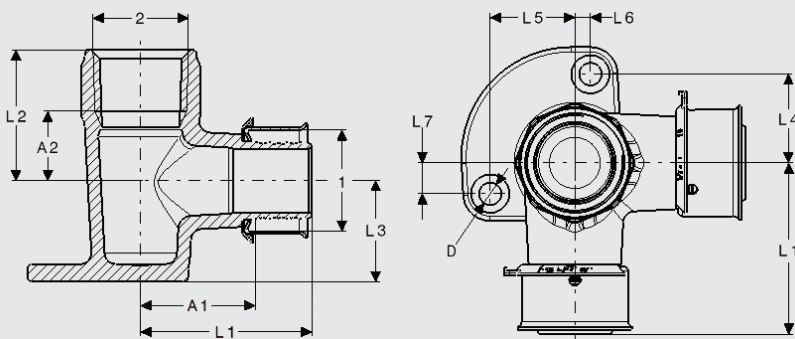
301 N. Main, 9th Floor • Wichita, KS 67202 • Ph: 800-976-9819 • Fax: 800-976-9817 • E-Mail: service@viega.com • www.viega.com

Dimensional Documentation PEX Press Fittings with Attached Sleeves



PEX Press Fire Sprinkler Vertical Tees							
Stock Code	Dimensions 1 x 2	A1 (in)	A2 (in)	A3 (in)	L1 (in)	L2 (in)	L3 (in)
84636	3/4" x 3/4" x 1/2" F NPT	0.965	0.965	1.024	1.457	1.457	1.555
84638	1" x 3/4" x 1/2" F NPT	1.142	1.024	1.083	1.634	1.634	1.614
84639	1" x 1" x 1/2" F NPT	1.024	1.024	1.083	1.634	1.634	1.614

L4 (in)	L5 (in)	L6 (in)	L7 (in)	D (in)
0.630	0.610	1.417	1.299	0.197
0.748	0.689	1.654	1.417	0.197
0.748	0.689	1.654	1.417	0.197



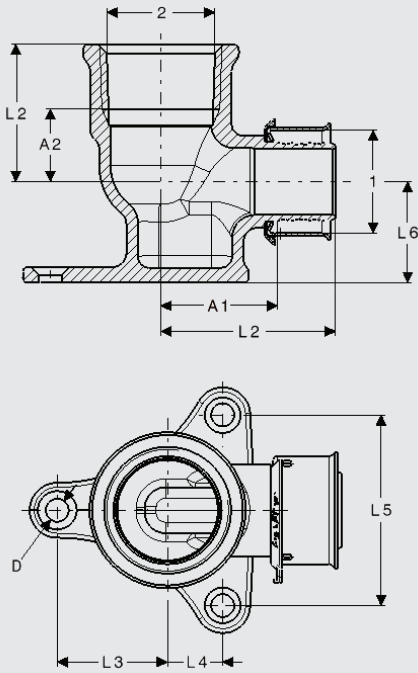
PEX Press Fire Sprinkler Elbow (Double)							
Stock Code	Dimensions 1 x 2	A1 (in)	A2 (in)	L1 (in)	L2 (in)	L3 (in)	L4 (in)
84646	3/4" x 3/4" x 1/2" F NPT	1.004	0.610	1.496	1.142	0.886	0.787

L5 (in)	L6 (in)	L7 (in)	D (in)
0.748	0.138	0.276	0.197

Viega... the global leader in plumbing and heating systems.

301 N. Main, 9th Floor • Wichita, KS 67202 • Ph: 800-976-9819 • Fax: 800-976-9817 • E-Mail: service@viega.com • www.viega.com

Dimensional Documentation PEX Press Fittings with Attached Sleeves



PEX Press Fire Sprinkler Elbows

Stock Code	Dimensions 1 x 2	A1 (in)	A2 (in)	L1 (in)	L2 (in)	L3 (in)	L4 (in)	L5 (in)	L6 (in)	D (in)
84635	3/4" x 1/2" F NPT	0.886	0.768	1.378	1.299	0.787	0.394	1.358	0.866	0.197
84640	1" x 1/2" F NPT	0.965	0.925	1.575	1.457	0.787	0.394	1.358	0.866	0.197

Viega... the global leader in plumbing and heating systems.

301 N. Main, 9th Floor • Wichita, KS 67202 • Ph: 800-976-9819 • Fax: 800-976-9817 • E-Mail: service@viega.com • www.viega.com