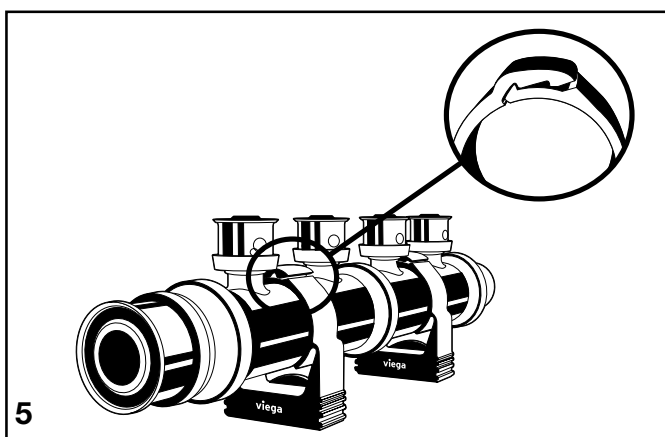
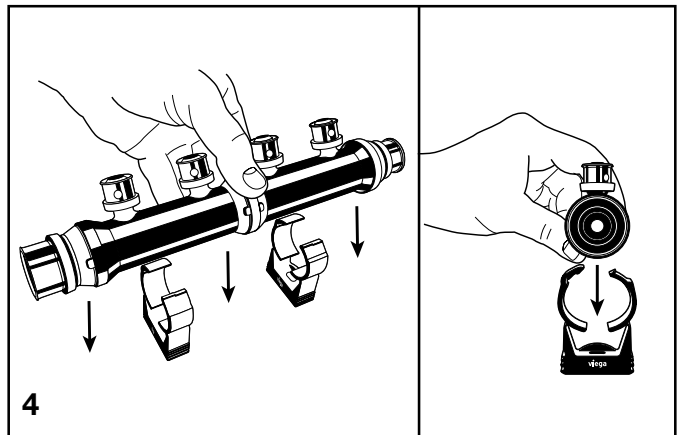
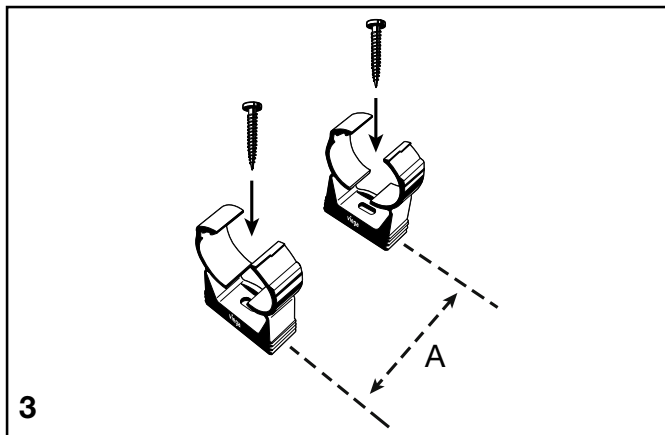
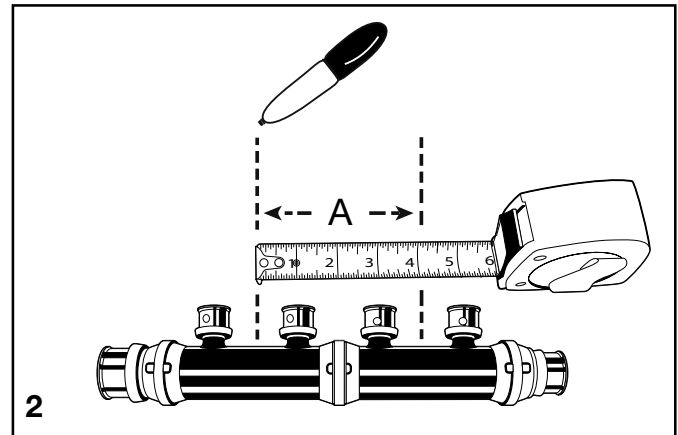
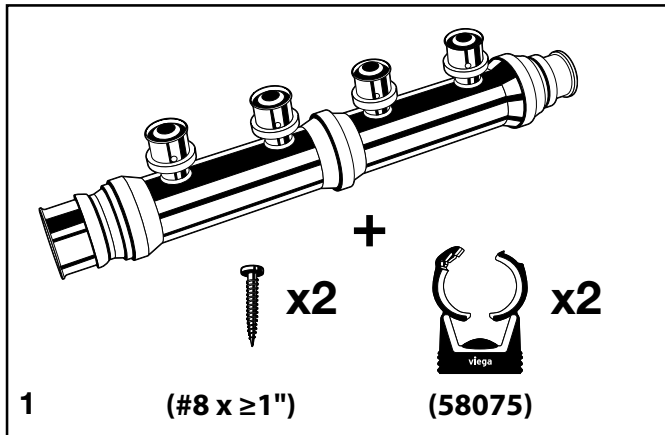


Product Instructions

viEGA

ViEGA PureFlow Mounting the Poly PEX Press Manifold



ViEGA... The global leader in plumbing, heating and pipe joining systems

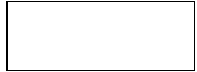
301 N. Main, 9th Floor • Wichita, KS 67202 • Ph: 800-976-9819 • Fax: 316-425-7618 • www.viega.com

©2011, ProPress®, FostaPEX®, Seapress®, MegaPress®, MegaPressG® and ViEGA® are registered trademarks of ViEGA GmbH & Co. PureFlow®, Smart Connect®, Climate Panel®, Climate Mat®, Climate Trak®, MANABLOC®, Radiant Wizard®, S-no-Ice®, Snap Panel®, XL® and XL-C® are registered trademarks of ViEGA LLC. MiniBloc™, ProRadiant™, PolyAlloy™, Poly PEX Press™, SmartLoop™ and Zero Lead™ are trademarks of ViEGA LLC; GeoFusion™, ProPressG™ and ViEGAPEX™ are trademarks of ViEGA GmbH & Co. KG.

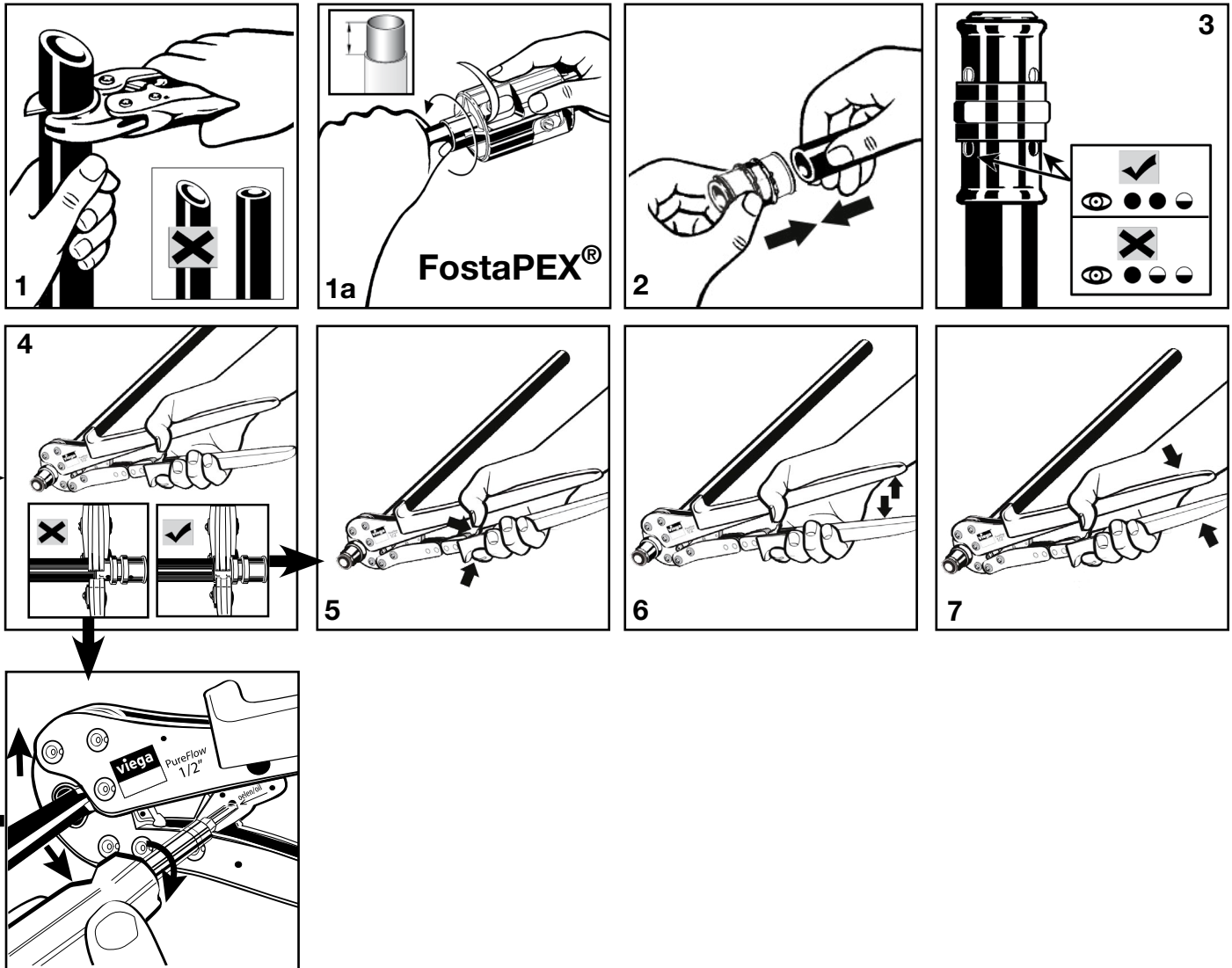
PI-PF-561039 0911 (Mounting the Poly PEX Press Manifold)

Product Instructions

viiega



Viega PureFlow Poly PEX Press with Hand Tool



Viega... The global leader in plumbing, heating and pipe joining systems

301 N. Main, 9th Floor • Wichita, KS 67202 • Ph: 800-976-9819 • Fax: 316-425-7618 • www.viega.com

©2011, ProPress®, FostaPEX®, Seapress®, MegaPress®, MegaPressG® and Viega® are registered trademarks of Viega GmbH & Co. PureFlow®, Smart Connect®, Climate Panel®, Climate Mat®, Climate Trak®, MANABLOC®, Radiant Wizard®, S-no-Ice®, Snap Panel®, XL® and XL-C® are registered trademarks of Viega LLC. MiniBloc™, ProRadiant™, PolyAlloy™, Poly PEX Press™, SmartLoop™ and Zero Lead™ are trademarks of Viega LLC; GeoFusion™, ProPressG™ and ViegaPEX™ are trademarks of Viega GmbH & Co. KG.

PI-PF-561039 0911 (Mounting the Poly PEX Press Manifold)